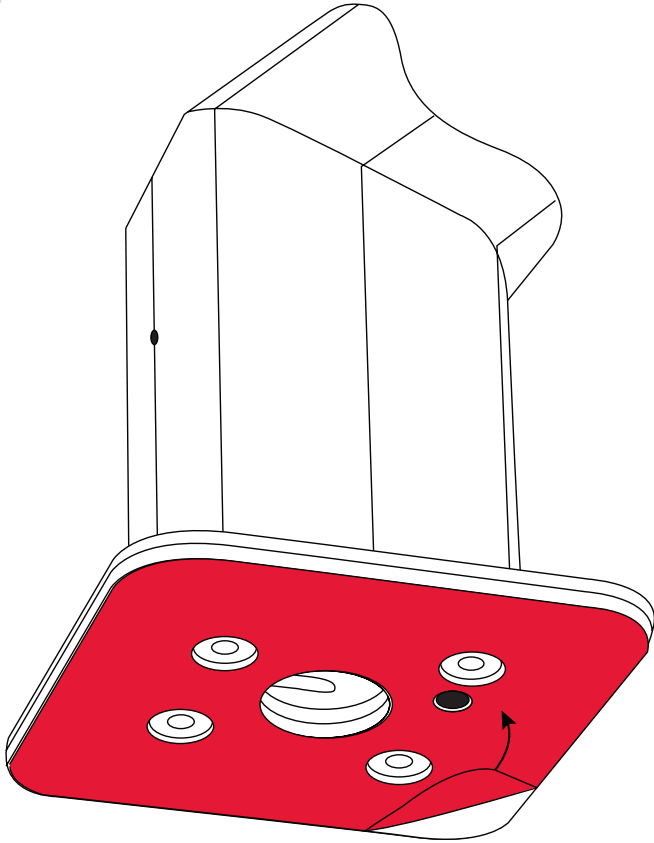
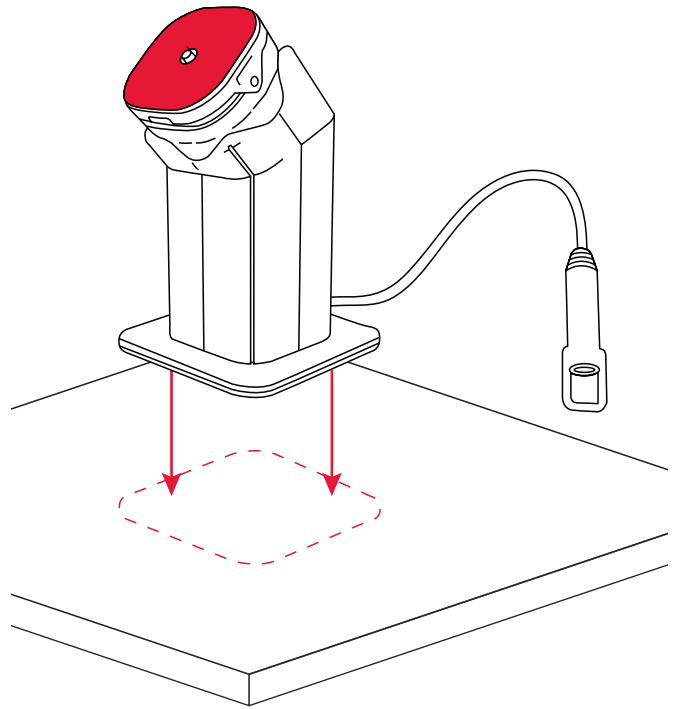


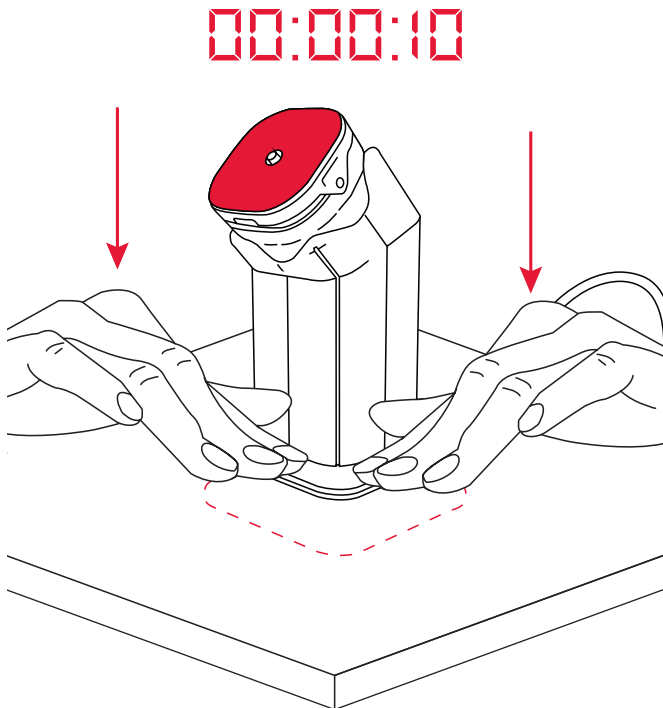
1



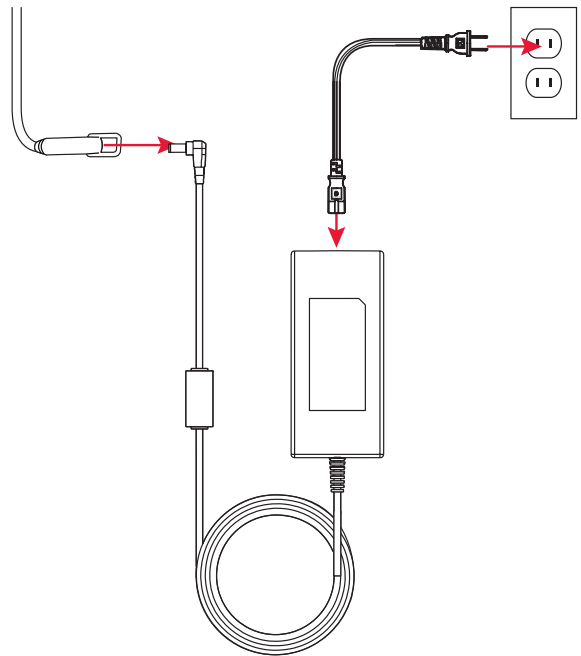
2



3



4

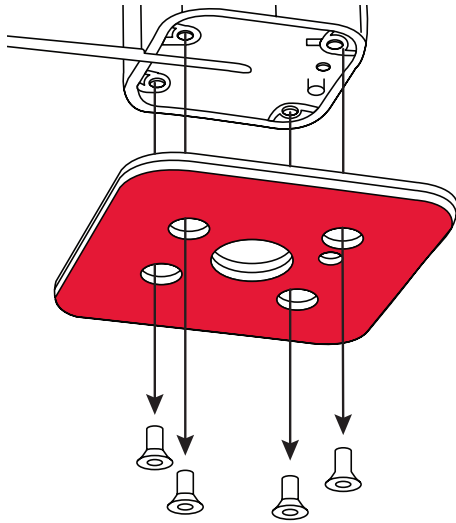


Use only power supply with output ratings 5.2VDC max., 5A max., of PS2 or LPS.

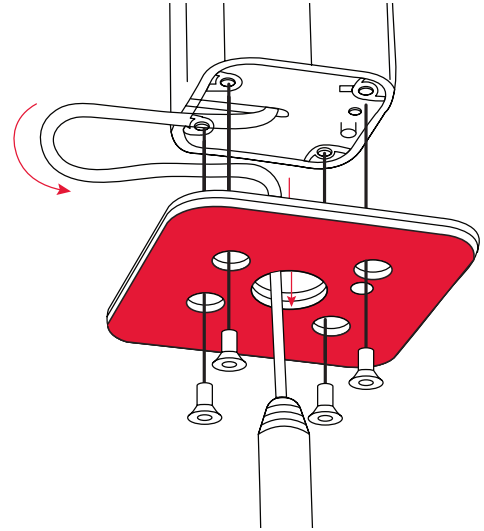


The socket-outlet shall be installed near the equipment and shall be easily accessible.

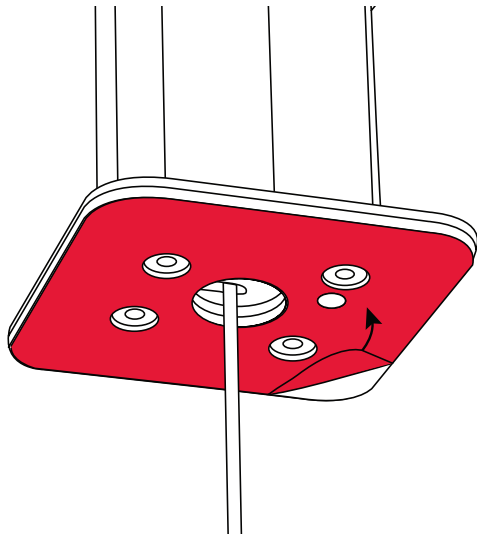
1



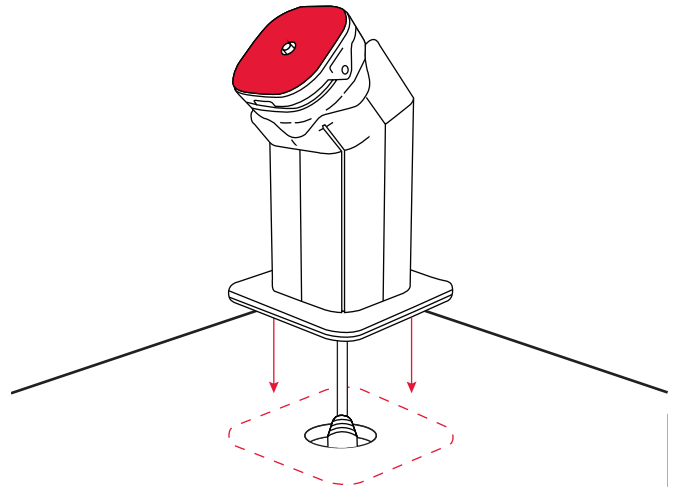
2



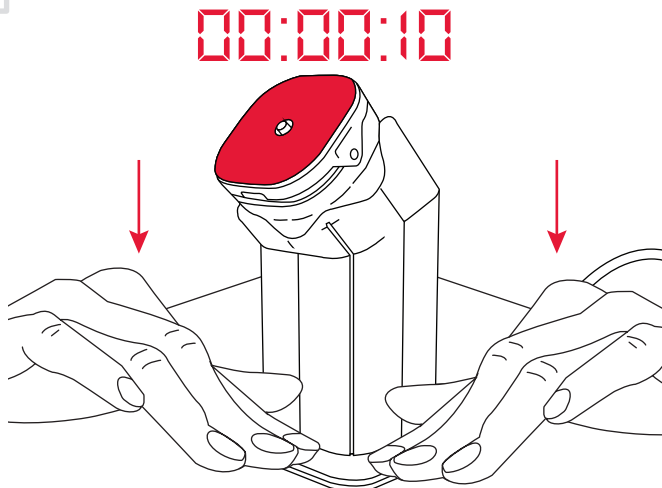
3



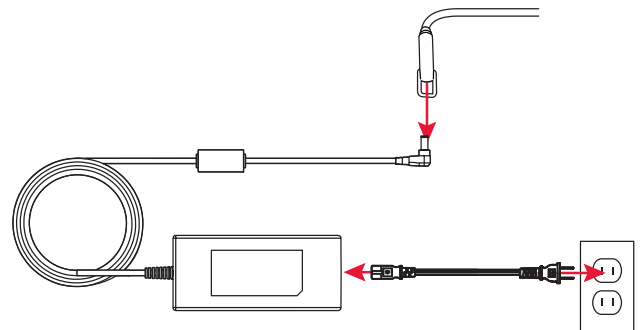
4



5



6

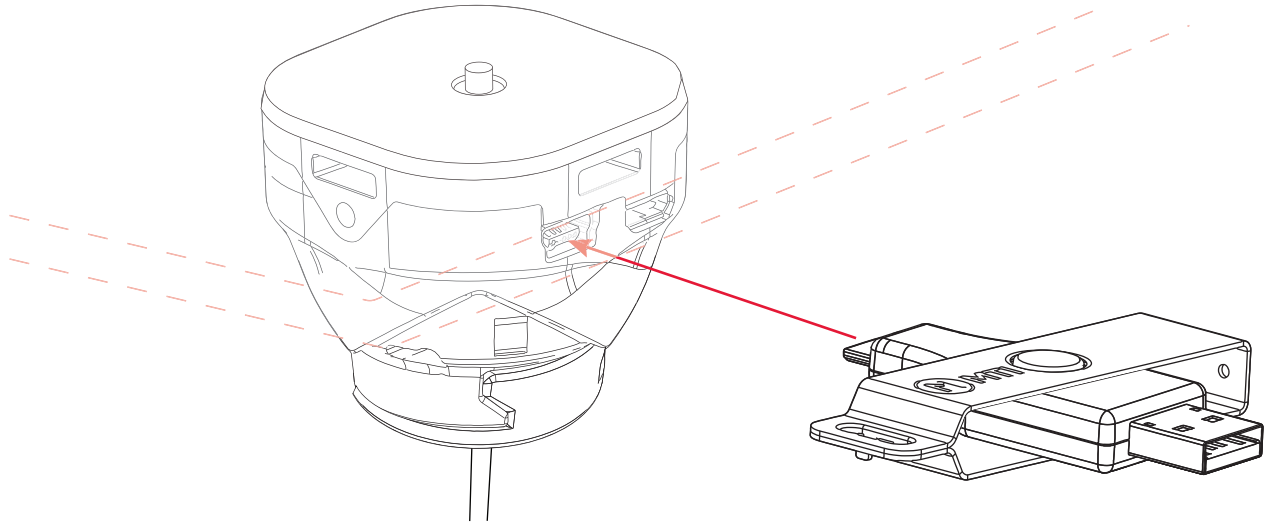


Use only power supply with output ratings 5.2VDC max., 5A max., of PS2 or LPS.

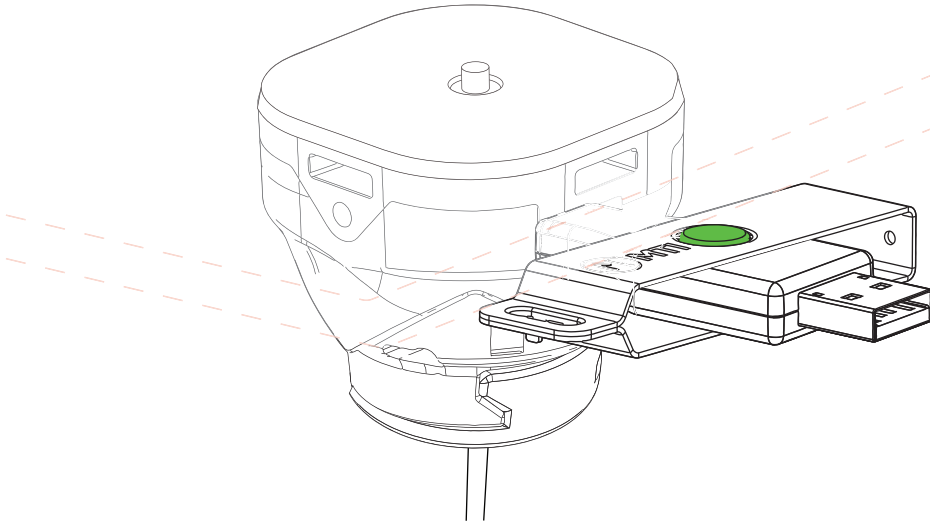


The socket-outlet shall be installed near the equipment and shall be easily accessible.

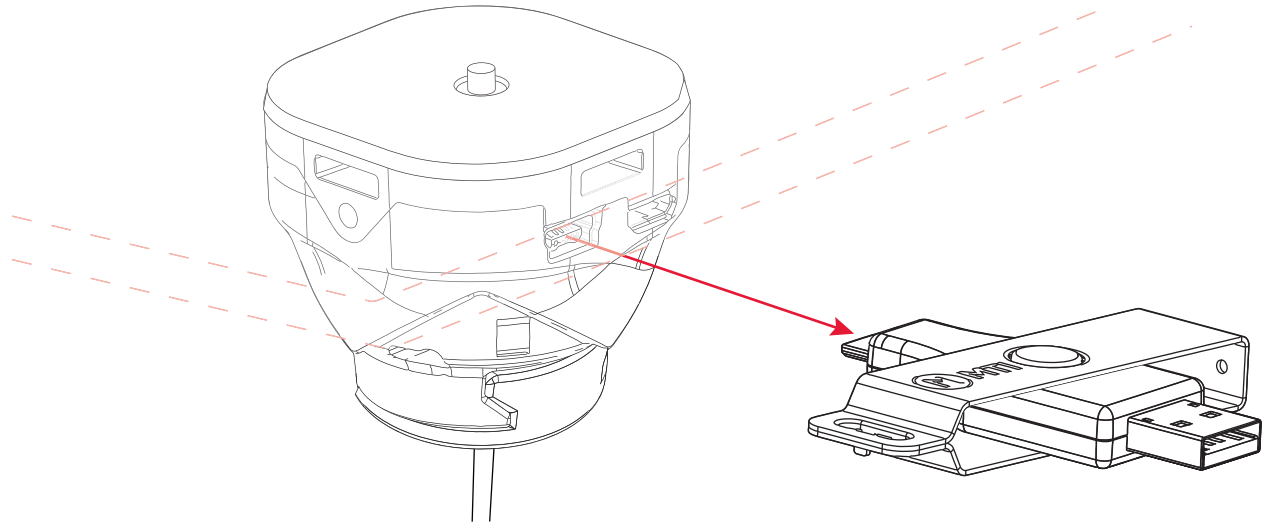
1



2



3



Federal Communication Commission interference statement

This equipment has been tested and found to comply with the limits for a Class B digital device, pursuant to part 15 of the FCC rules. These limits are designed to provide reasonable protection against harmful interference in a residential installation. This equipment generates, uses and can radiate radio frequency energy and, if not installed and used in accordance with the instructions, may cause harmful interference to radio communications. However, there is no guarantee that interference will not occur in a particular installation. If this equipment does cause harmful interference to radio or television reception, which can be determined by turning the equipment off and on, the user is encouraged to try to correct the interference by one or more of the following measures: -Reorient or relocate the receiving antenna. -Increase the separation between the equipment and receiver. -Connect the equipment into an outlet on a circuit different from that to which the receiver is connected. -Consult the dealer or an experienced radio/TV technician for help.

FCC Caution

This device complies with Part 15 of the FCC Rules. Operation is subject to the following two conditions:

1. This device may not cause harmful interference and
2. This device must accept any interference received, including interference that may cause undesired operation

RF Exposure Warning

The equipment complies with RF exposure limits set forth for an uncontrolled environment. The antenna(s) used for this transmitter must not be co-located or operating in conjunction with any other antenna or transmitter.

You are cautioned that changes or modifications not expressly approved by the party responsible for compliance could void your authority to operate the equipment.

Technical Data

Operating Temperature:	0°C to 40°C
Operating Frequency:	2405 MHz to 2480 MHz
Max Power:	Less than 4 dBm at 2.4 GHz
Operating Frequency:	125kHz
Max Power:	Less than 20 dBuA/m at 3m

Additional Safety Information

1. For indoor use only. The apparatus shall not be exposed to water.
2. No user replaceable parts inside; refer servicing to manufacturer or qualified service personnel.
3. Only use accessories specified by the manufacturer.
4. Do not expose to excessive heat sources.

Disposal: All electrical and electronic products including batteries should be disposed of separately from the municipal waste stream via designated collection facilities appointed by the government or the local authorities.



This product contains a rechargeable battery. Proper storage, use, and disposal of the battery is important. Please refer to the guidelines below:

- i. Properly dispose of the battery; Do not dispose of the battery into a furnace/oven or into a fire or mechanically crush or cut the battery, as this could cause the battery to explode.
- ii. Storing the battery in an environment at higher temperatures than stated above can result in explosion or leaking of flammable liquid or gas.
- iii. Subjecting a battery to very low air pressure or high altitudes can result in explosion or leaking of flammable liquid or gas.