

Product Manual for
FREEDOM FOCUS™
 MERCHANDISE THEFT DETERRENT SYSTEM

Contents

1.	Components And Accessories	2
2.	Attach Baseplate	3
3.	Mounting Riser to Fixture	4
4.	Merchandising - Shell 1	5
5.	Merchandising - Shell 2	7
6.	Removal	10
7.	Optional Len Sensor	11
8.	Connecting Power	11
9.	RFID Card Programming	12
10.	RFID Card Operation	12
11.	Dimensions	14
12.	FCC and ISED Statement	16

DO NOT REMOVE FROM STORE

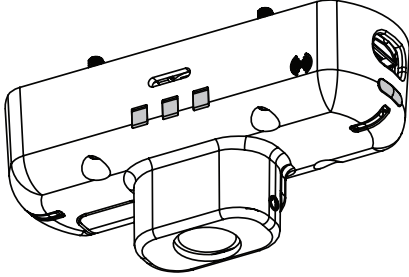
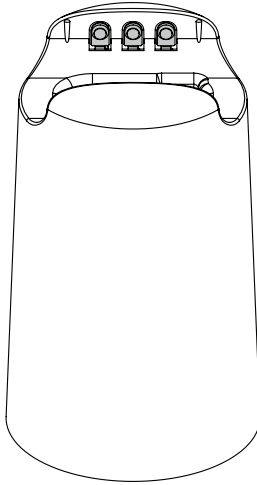
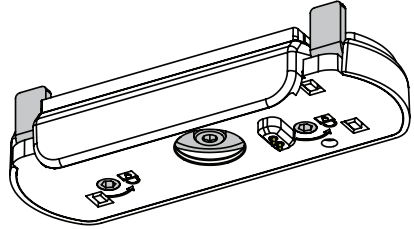
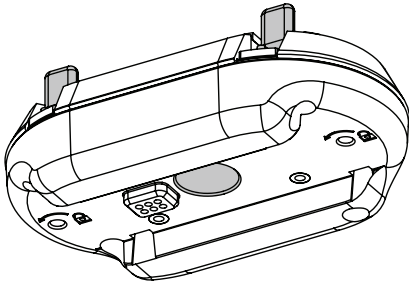
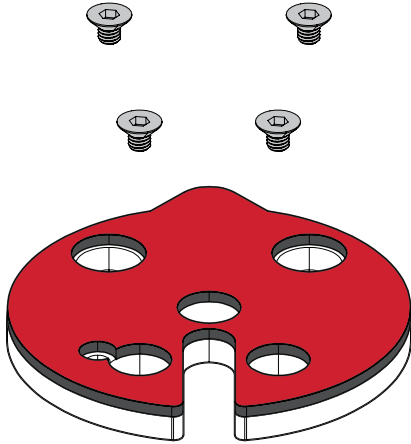
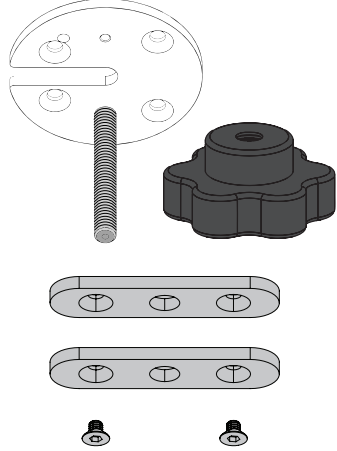
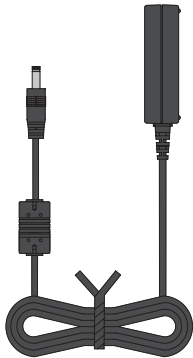

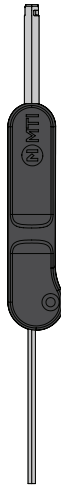



**For additional support, please reach out to our
 Contact Center at 800-426-6844**



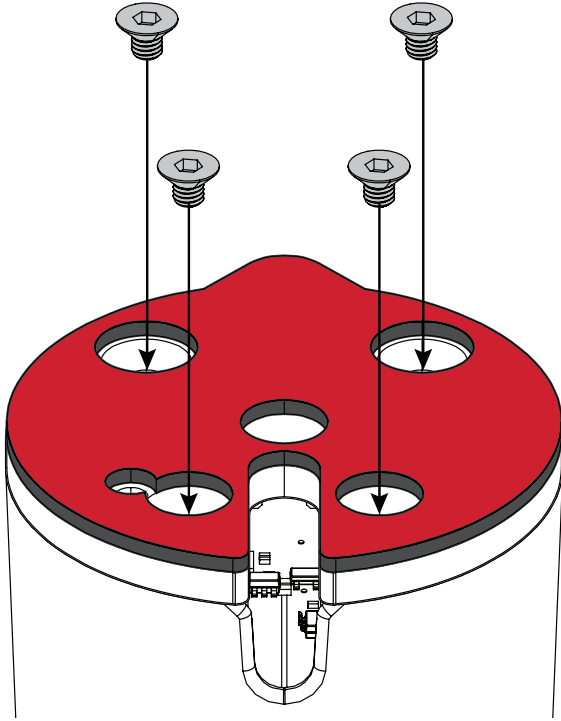
WARNING: MTI products contains chemicals known to the State of California to cause cancer and birth defects or other reproductive harm. Proposition 65, California Health & Safety Code Section 25249.6 et seq. Visit oehha.ca.gov for more information.



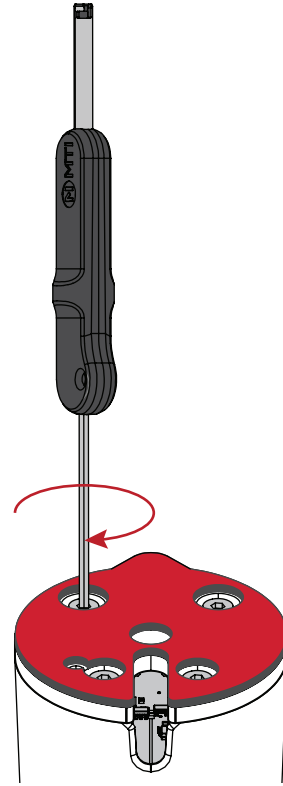
Freedom Focus™ Puck	Freedom Focus™ Riser	Shell 1
		
<p>Shell 2*</p>	<p>VHB Mounting Plate*</p>	<p>Through Hole/Slot Adapter*</p>
<p>*Optional</p> 	<p>*Optional</p> 	<p>*Optional</p> 
<p>Power Supply</p>	<p>MTI Retail Tool</p>	<p>Charge Cable (varies)</p>
 <p>Use only power supply with output rating 5.9Vdc 3.5A max. of PS2, or LPS.</p> <p> Utilisez uniquement une alimentation 5,9 V 3,5 A MTI, ne dépassez pas PS 2. D'autres spécifications peuvent causer des dommages.</p>		

ATTACH BASEPLATE - VHB

- 1** Align the VHB Baseplate to the bottom of the riser and insert the 4 included screws into the holes in the baseplate and riser.

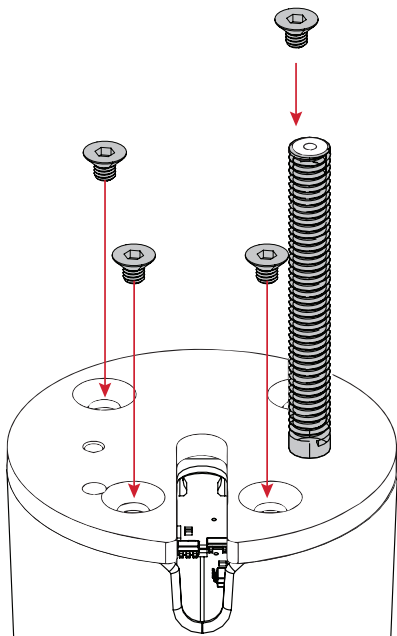


- 2** Secure the baseplate using the MTI Retail Tool.

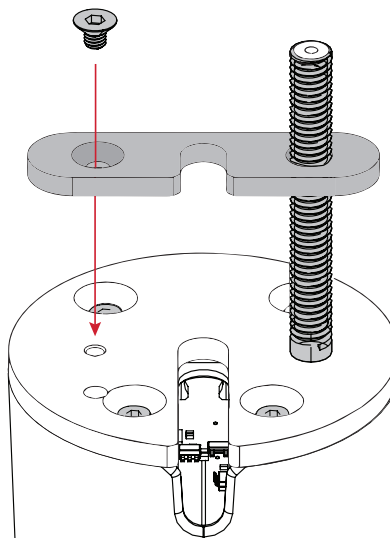


ATTACH BASEPLATE - THROUGH HOLE

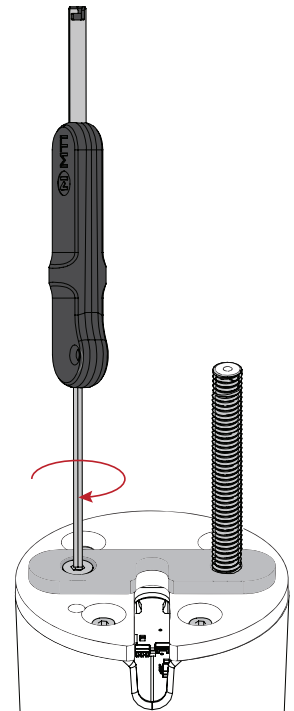
- 1** Align the Through Hole Baseplate to the bottom of the riser and secure with four M3 screws.



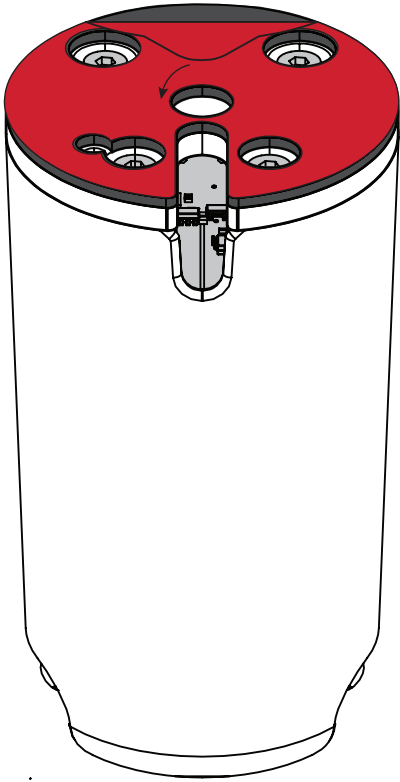
- 2** If using the optional slot adapter plate, attach to baseplate using two M2.5 screw.



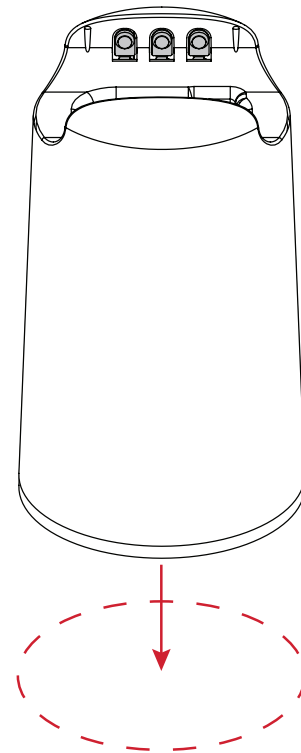
- 3** Secure the baseplate using the MTI Retail Tool.



1 Peel the red film off of the VHB.

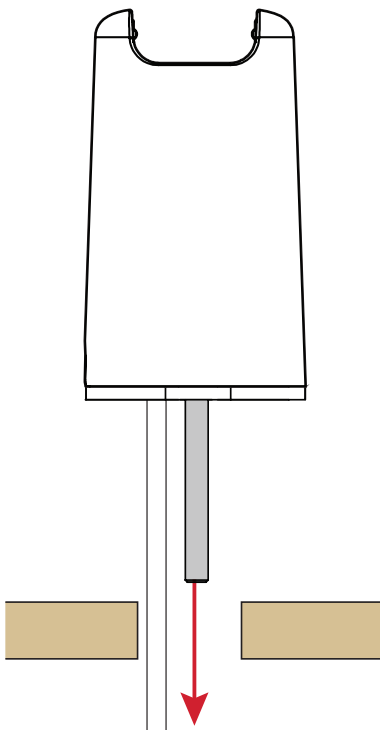


2 Place riser in the desired location. Apply pressure for 60 seconds for full VHB adhesion.

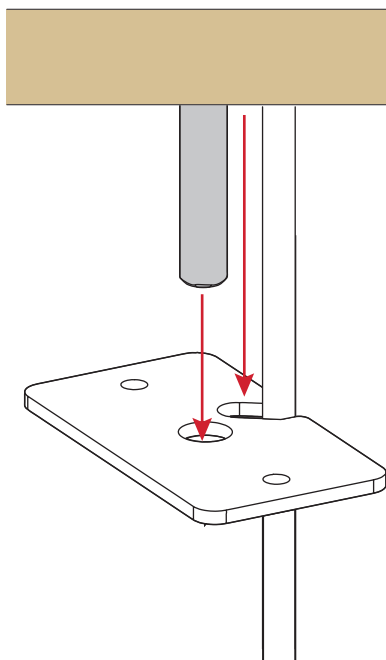


MOUNTING RISER TO FIXTURE - THROUGH HOLE

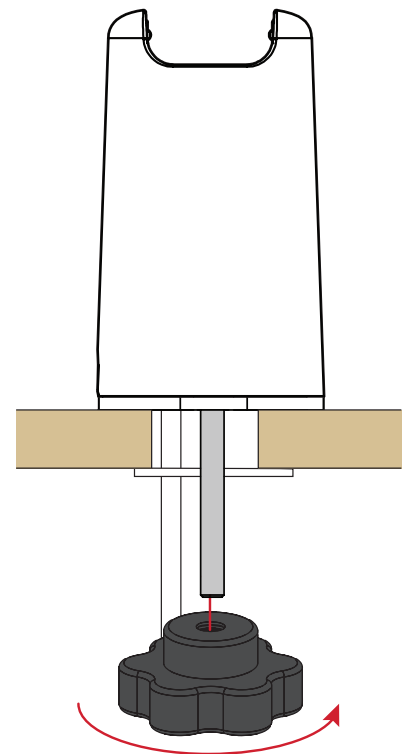
1 Insert the position into the slot or hole.



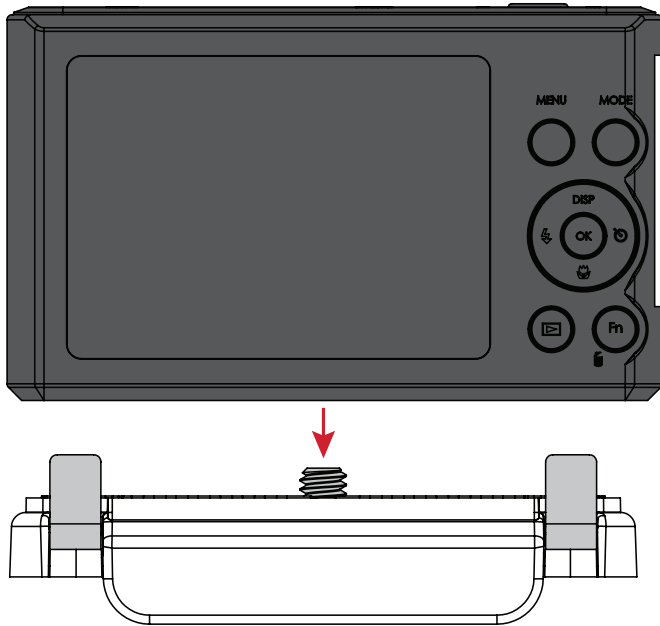
2 Place the power cable into the slot on the bottom plate, then slide it up over the slot adapter post.



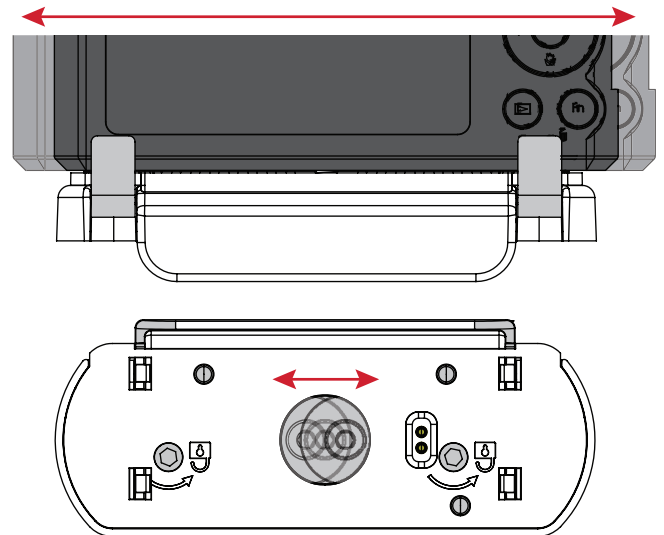
3 Secure the position with the knob.



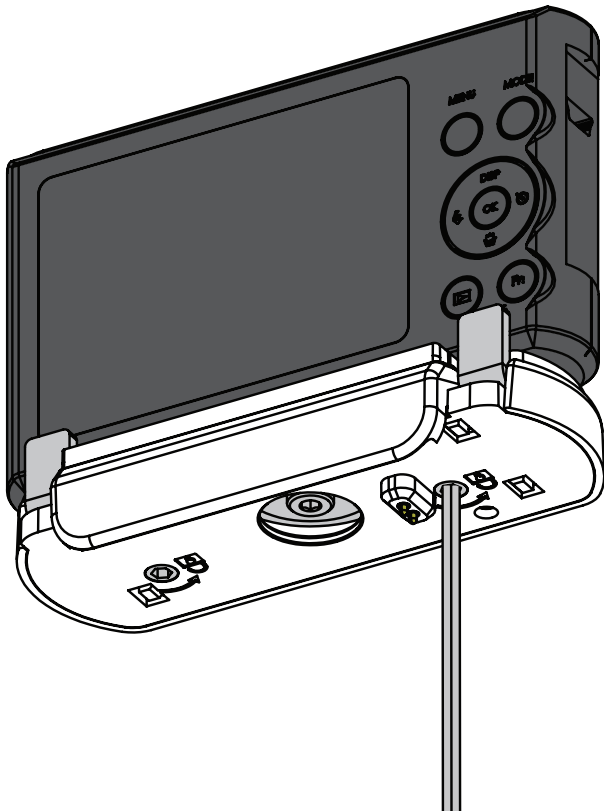
- 1** Place the camera onto the tripod mount screw on the shell.



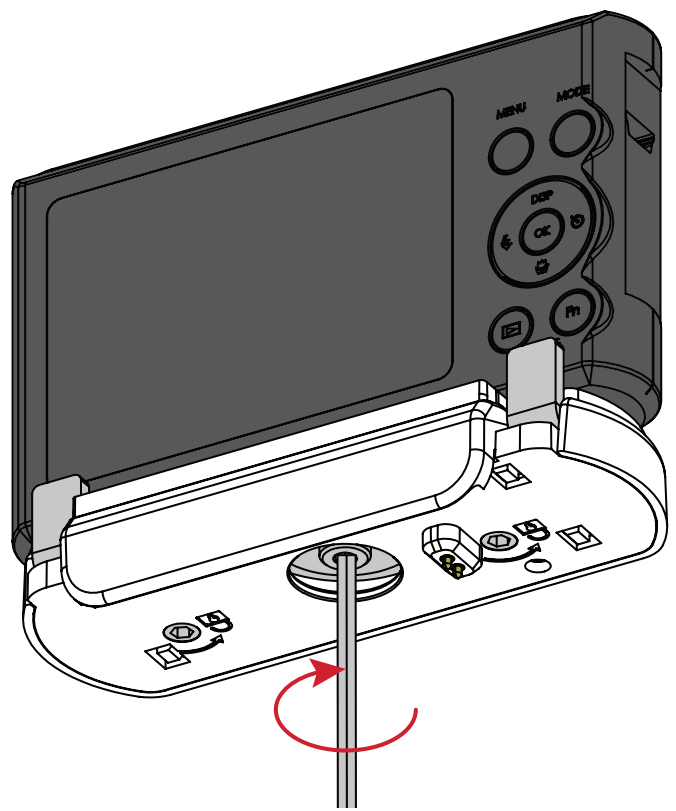
- 2** Due to floating design of mounting screw, camera can be adjusted to ensure camera is mostly centered.



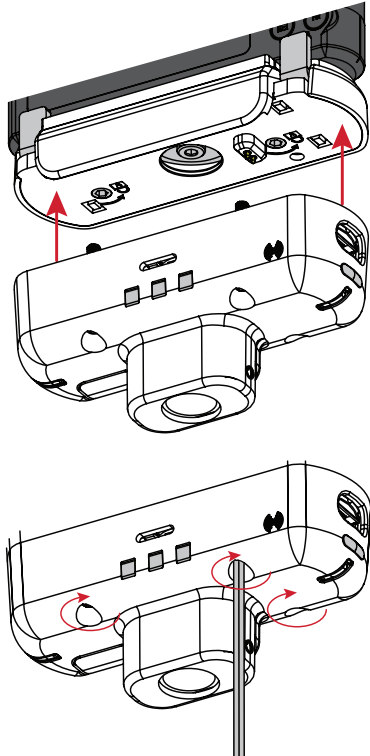
- 3** Adjust anti-rotation arms until they are against the camera and secure them using the MTI Retail Tool.



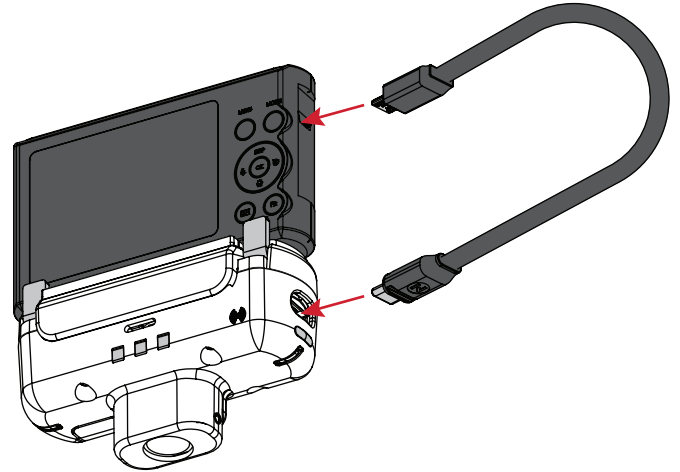
- 4** Secure the camera to Shell 1 using the MTI Retail Tool.



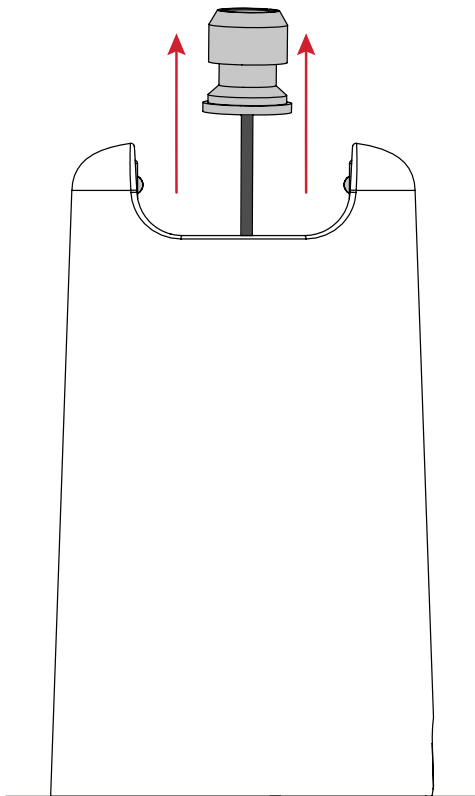
- 5** Secure Shell 1 and camera to the Freedom Focus puck using the MTI Retail Tool.



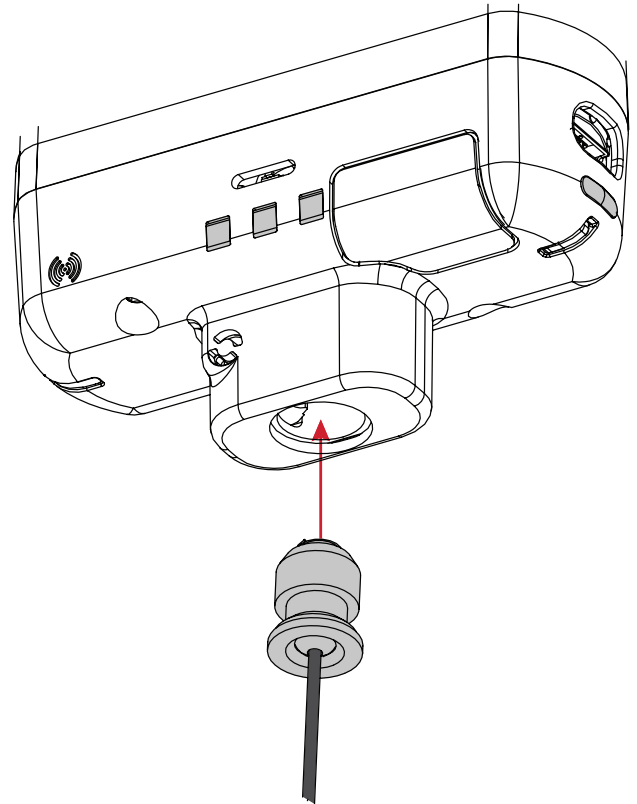
- 6** Connect the charging cable to the camera. Insert USB-C end of cable into puck until it clicks, indicating it is locked in place.



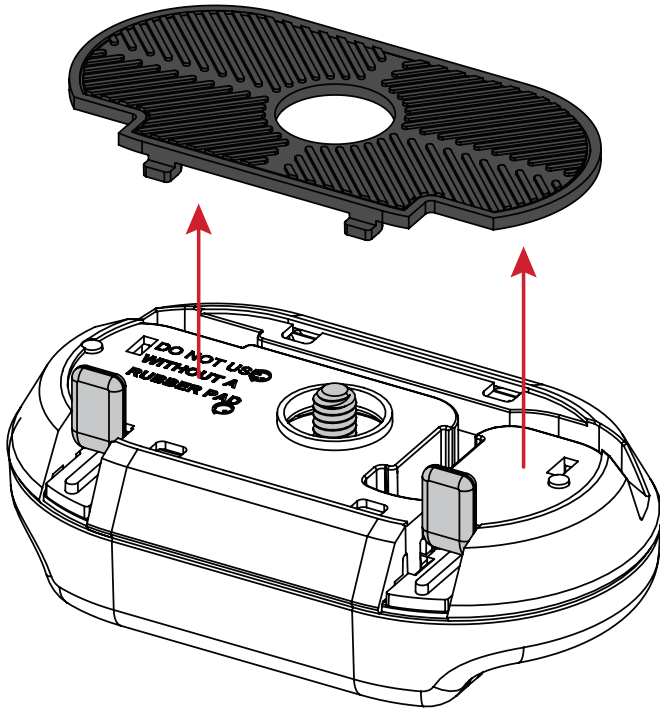
- 7** Pull tether end out of riser.



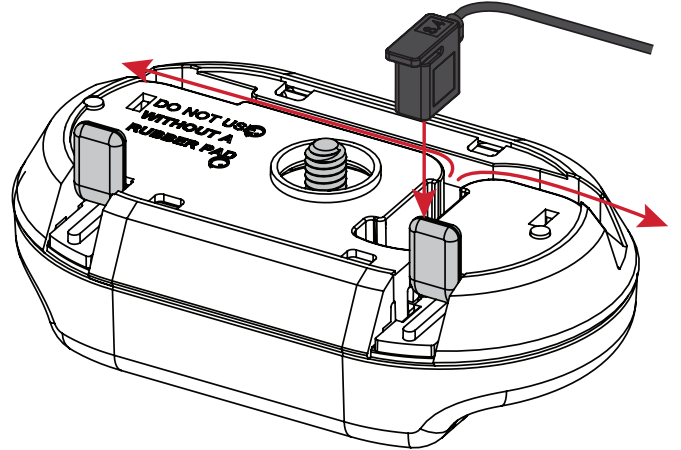
- 8** Insert tether end into puck until it clicks, indicating it is locked in place.



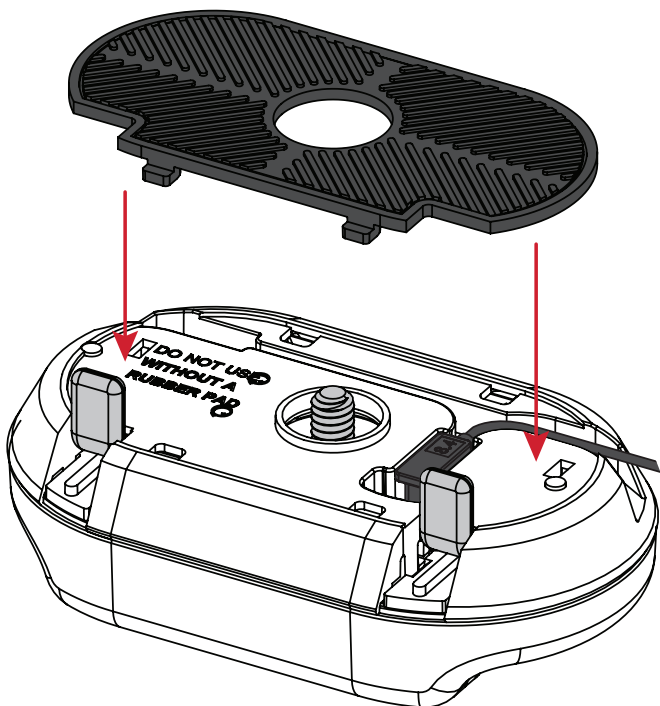
1 Remove the rubber cover from Shell 2.



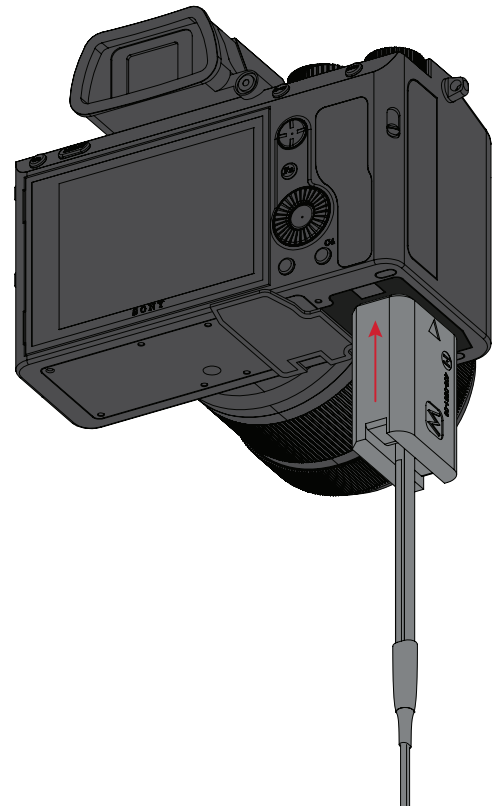
2 Plug in charge cable, routing the wire through the channel to either side of puck. This will depend on where the battery door is located on for your camera.



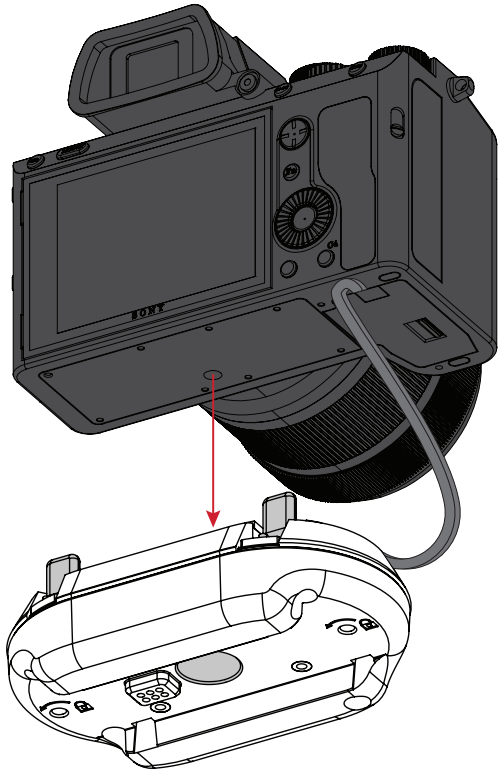
3 Replace the rubber cover on Shell 2.



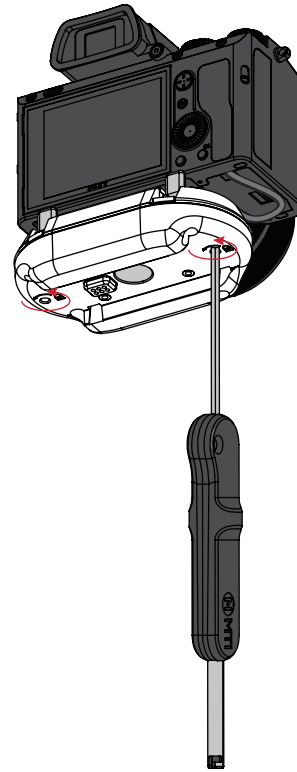
4 Insert battery eliminator into camera and close battery door.



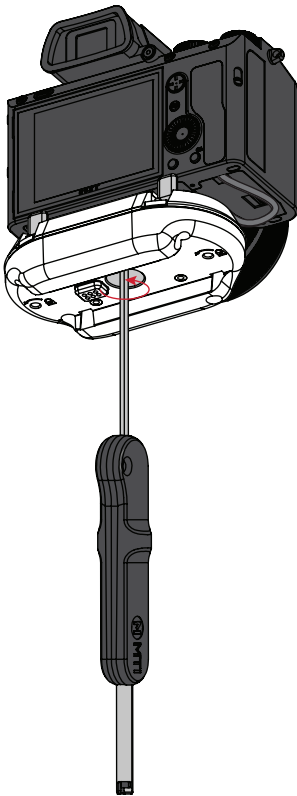
5 Place the camera onto the tripod mount screw on the shell.



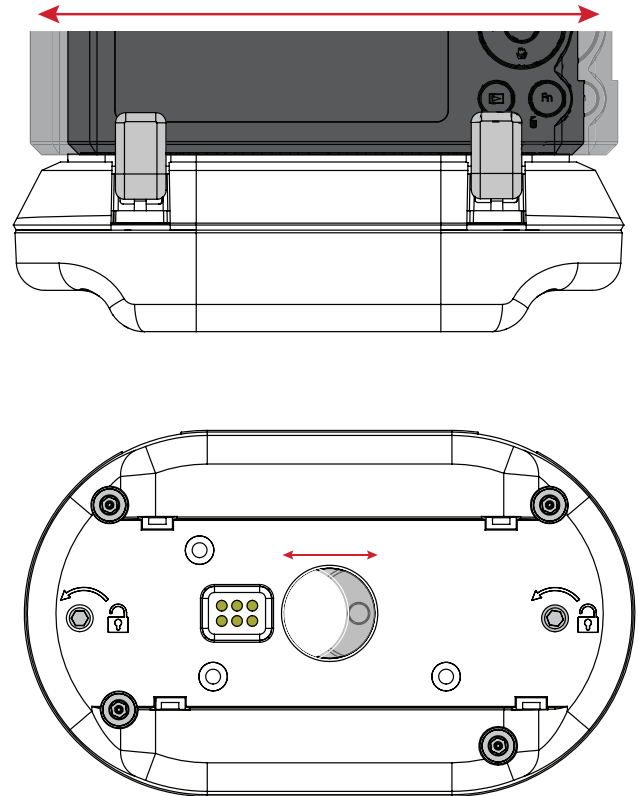
6 Plug in charge cable, routing the wire through the channel to either side of puck. This will depend on where the battery door is located on for your camera.



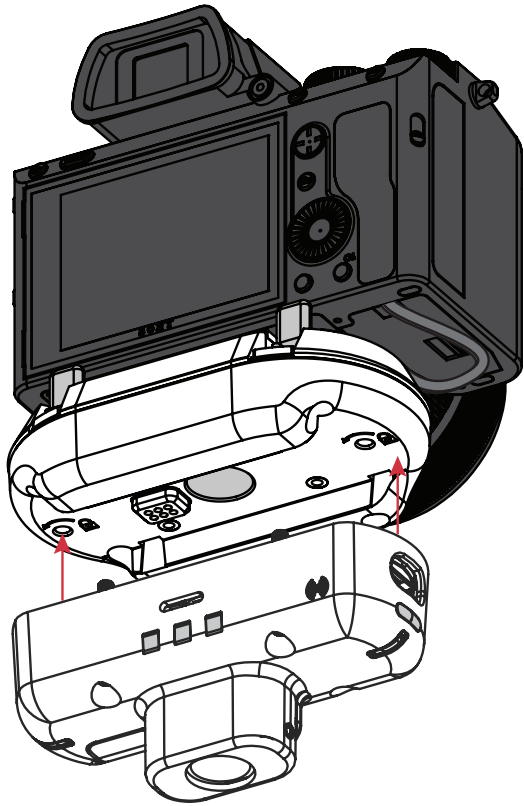
7 Due to floating design of mounting screw, camera can be adjusted to ensure camera is mostly centered.



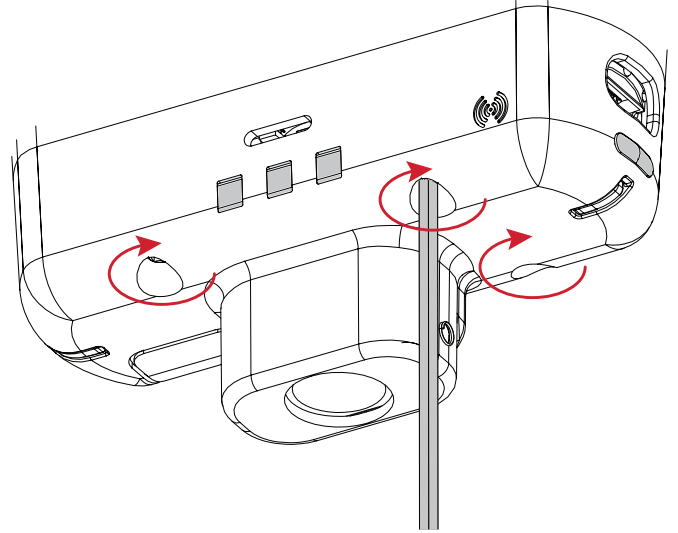
8 Due to floating design of mounting screw, camera can be adjusted to ensure camera is mostly centered.



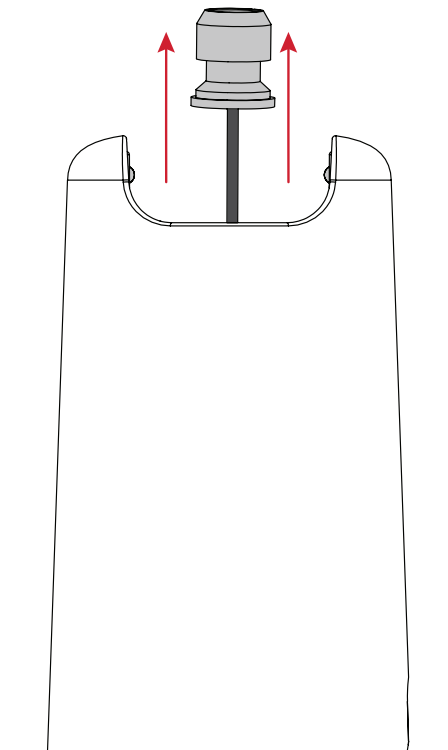
9 Place Shell 2 and camera onto the Freedom Focus puck.



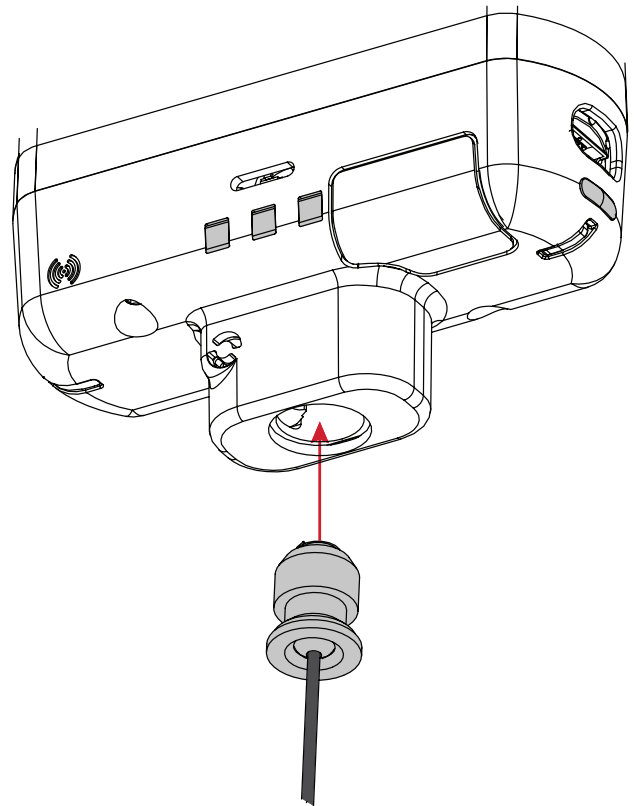
10 Secure Shell 1 and camera to the Freedom Focus puck using the black handled tool MTI Retail Tool.



11 Pull tether end out of riser.

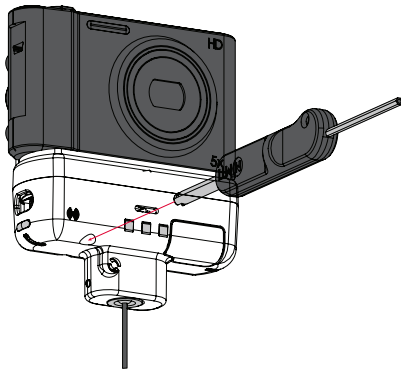


12 Insert tether end into puck until it clicks, indicating it is locked in place.

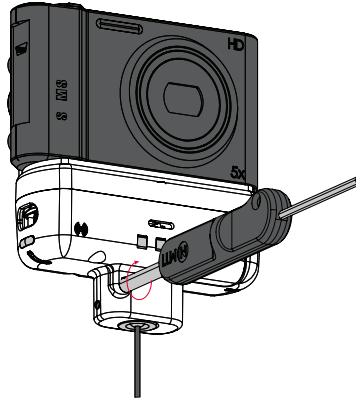


PUCK REMOVAL

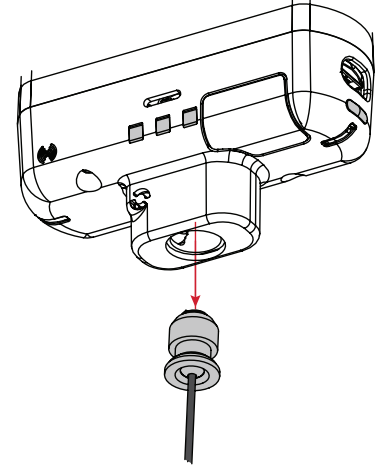
- 1** Insert the crescent end of the MTI Retail Tool into the opening under the RFID symbol on the puck.



- 2** Twist the MTI Retail Tool clockwise 45 degrees and hold it in place.

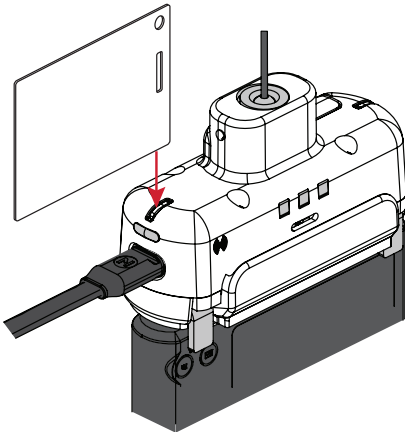


- 3** Remove the tether from the puck.

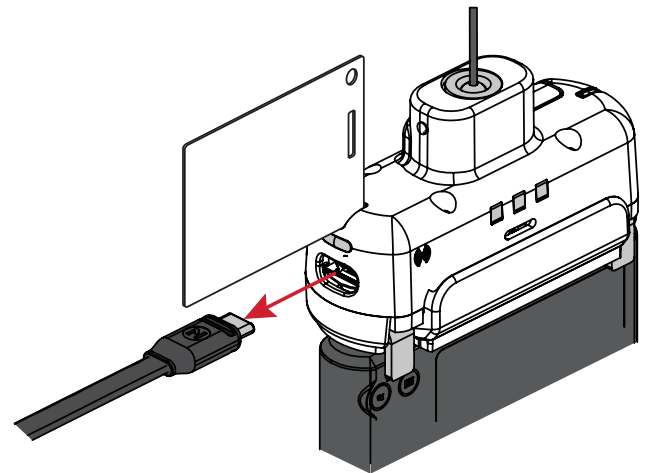


CHARGE CABLE REMOVAL

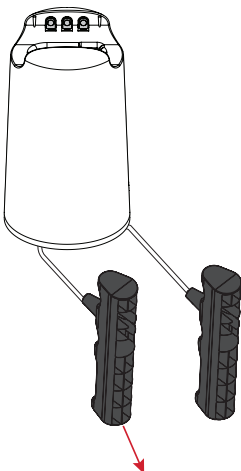
- 1** After disarming the system, use an RFID card to press the release button on the bottom of the puck.

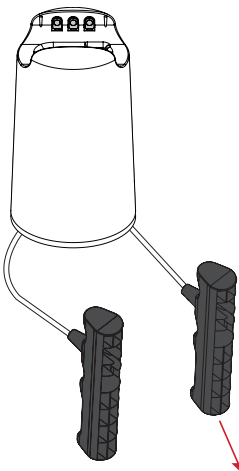


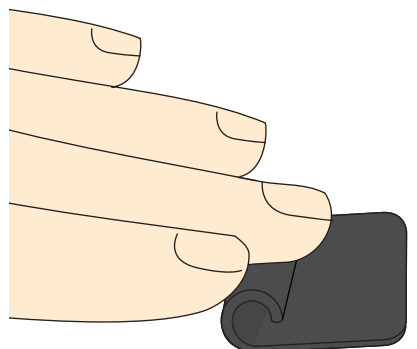
- 2** Remove the charge cable.



VHB POSITION REMOVAL

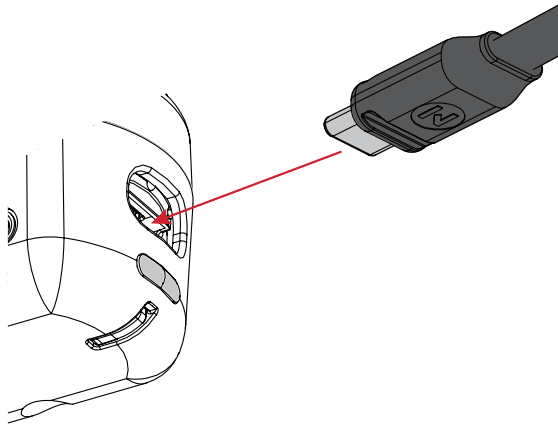
- 1** 

- 2** 

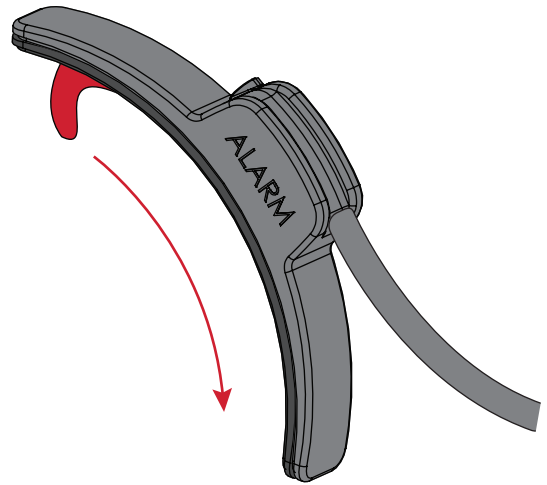
- 3** 

LENS SENSOR INSTALLATION

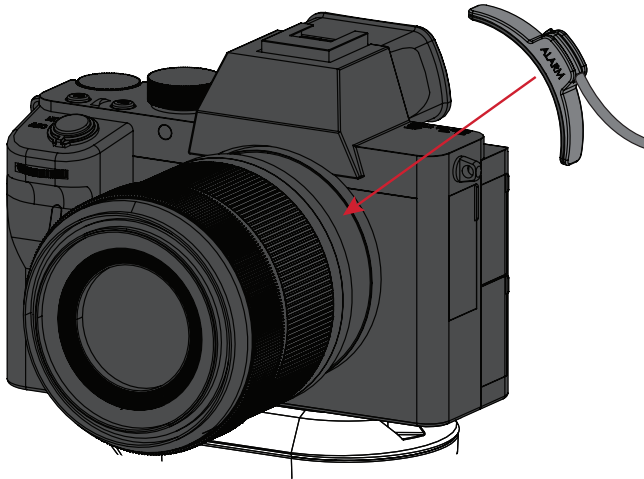
1 Insert the USB-C end of cable into the puck. It can be plugged into on either end of the puck.



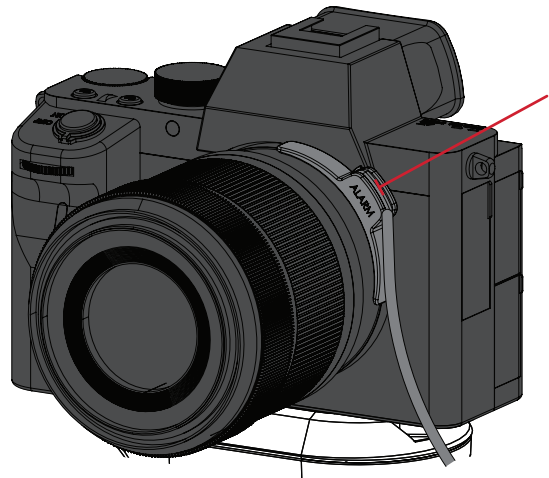
2 Peel red VHB liner off of the Lens Sensor.



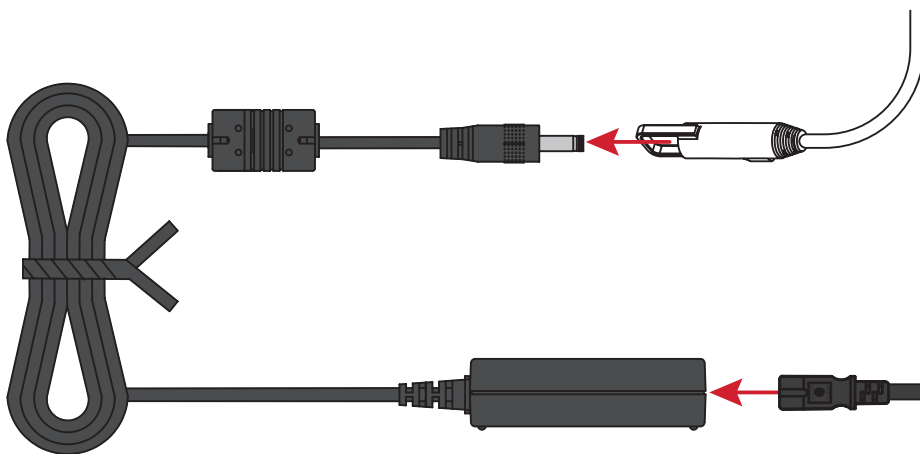
3 Apply the Lens Sensor to the camera lens.



4 Apply pressure for 60 seconds for full VHB adhesion.

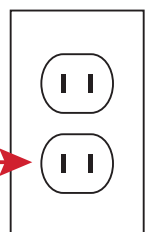


CONNECTING POWER

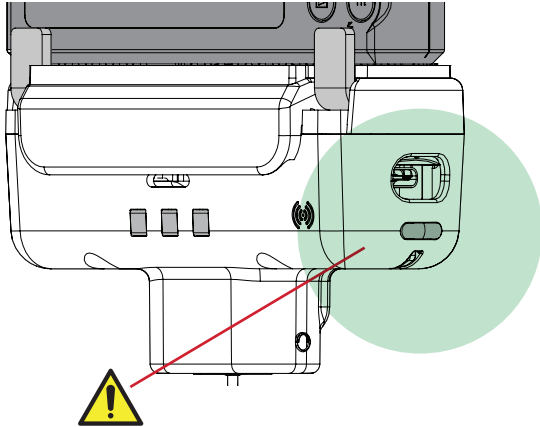


The socket-outlet (power adaptor) shall be installed near the EQUIPMENT and shall be easily accessible

La prise de courant (adaptateur secteur) doit être installée près de l'ÉQUIPEMENT et doit être facilement accessible

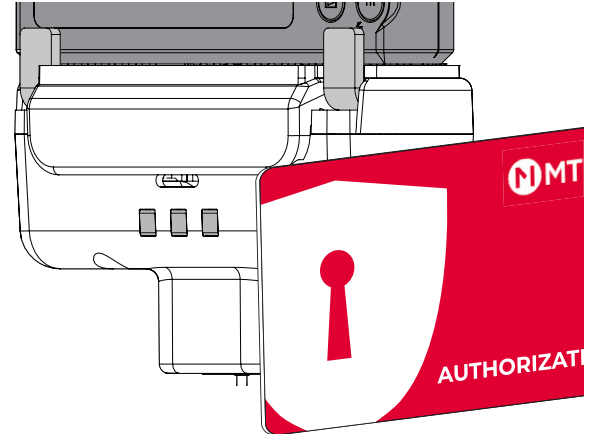


1 Default (Factory) mode – Green LED.

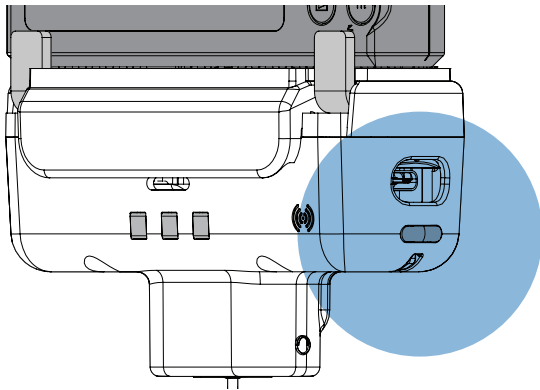


Tap RFID Cards on this end of puck

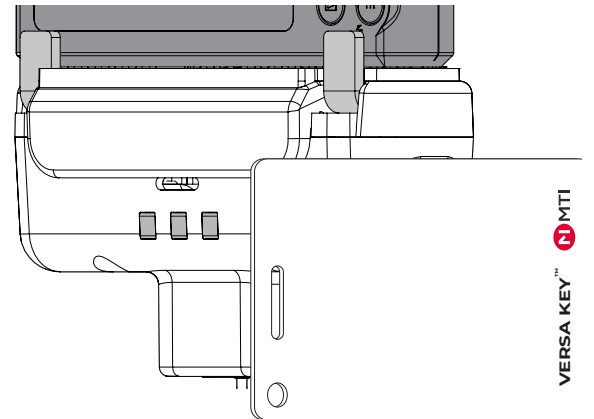
2 Enter programming mode - Tap RFID Cards on this end of puck.



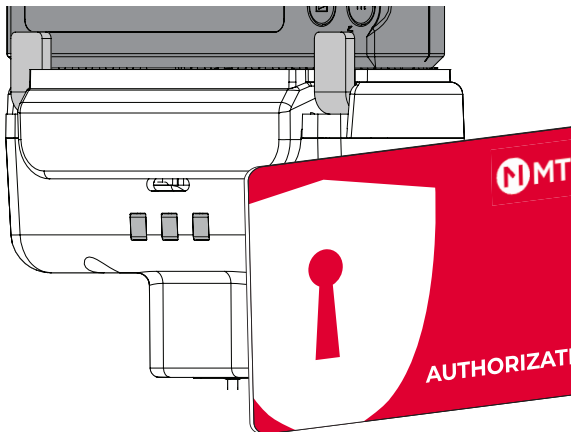
3 Programming Mode – Blue LED.



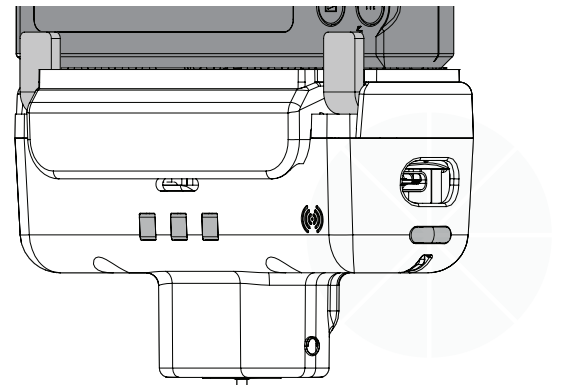
4 Add User Card by swiping card on RFID Icon.

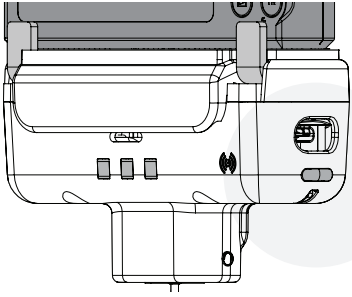
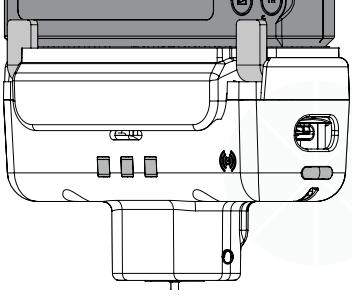
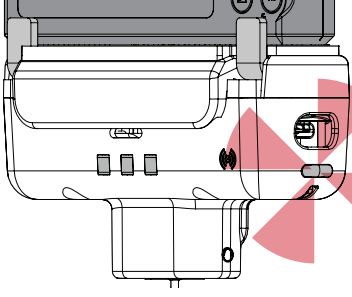


5 Exit programming mode – Swipe Authorization card.

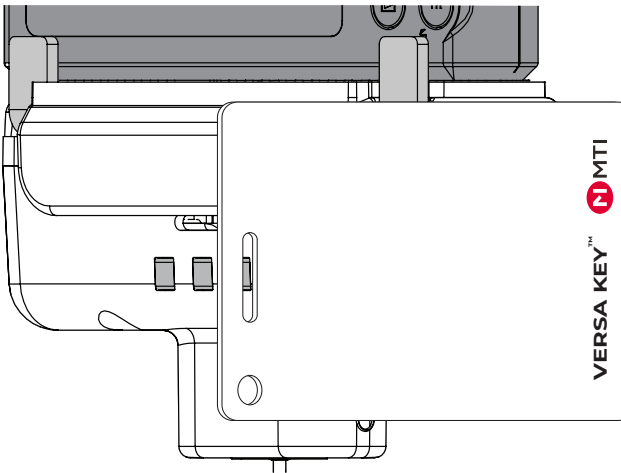


6 Return to disarmed state – White LED flashes every 8 seconds.



Visual Reference	System Status	Condition
	<p>Solid White</p>	<p>Position is armed.</p>
	<p>Single white flash every 8 seconds</p>	<p>Position is disarmed.</p>
	<p>Flashing Red and White with audible alarm</p>	<p>Alarm has been triggered. silence the alarm and inspect the tether, puck trigger, and base trigger.</p>

USER CARD



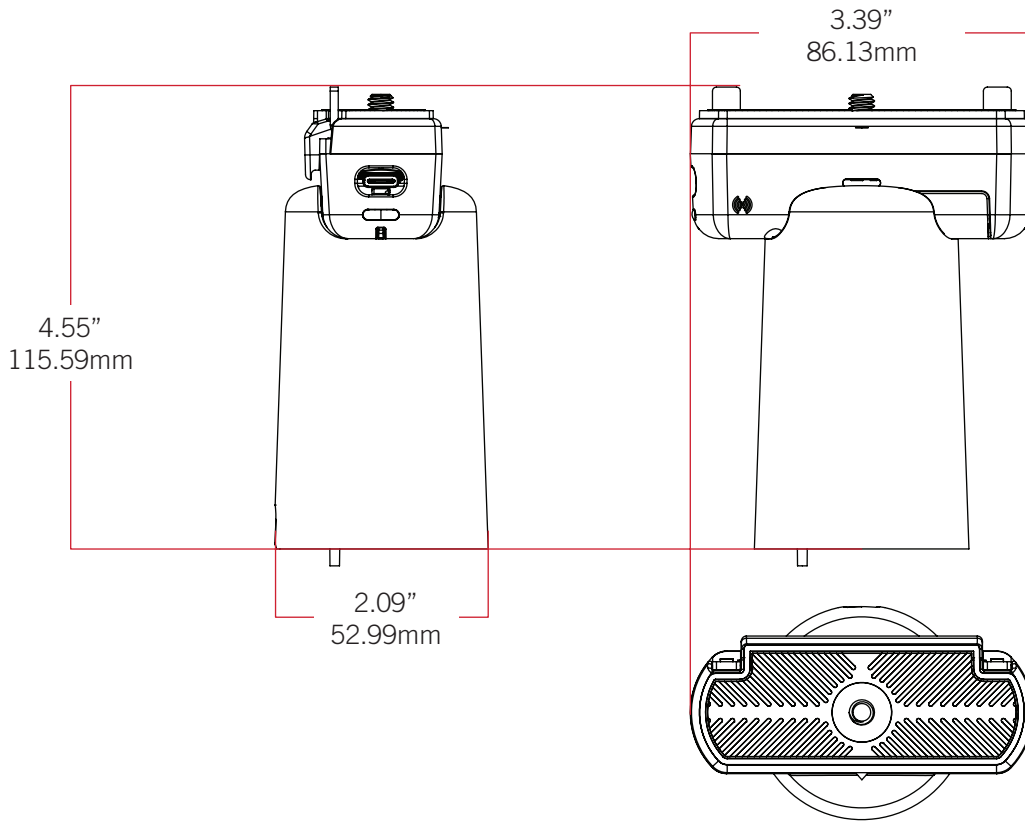
USER CARD SWIPE:

- Arm or Disarm position
- Silence Audible alarm – if position is not compliant
- Clear visual alarm/re-arm – if position is compliant

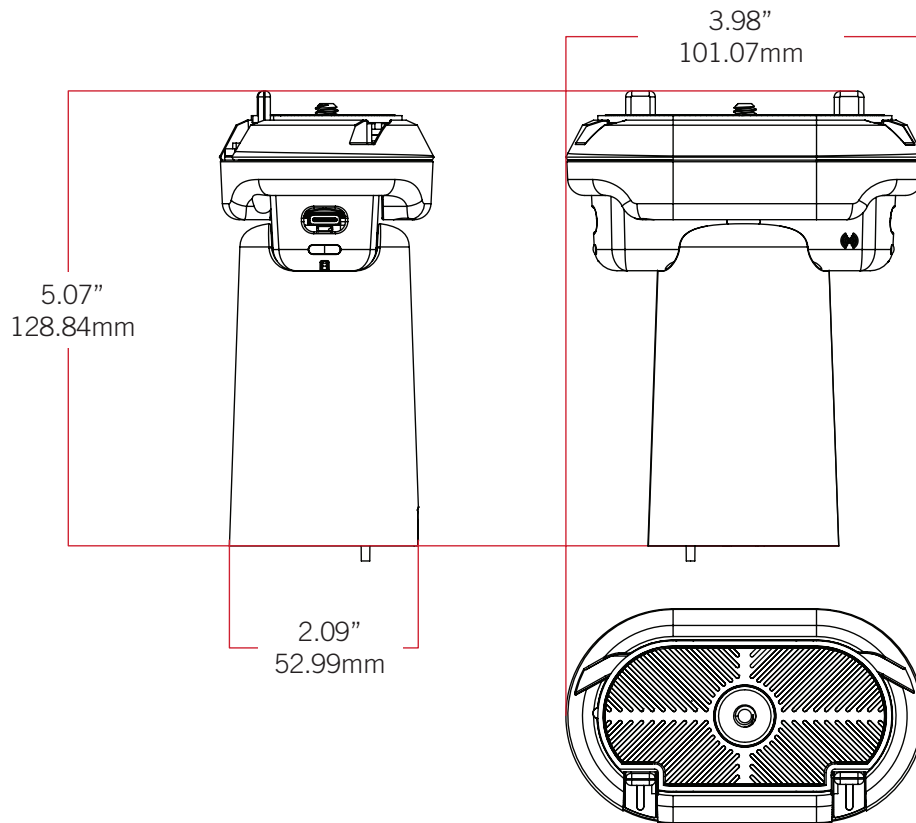
USER CARD SWIPE – TONE DEFINITION

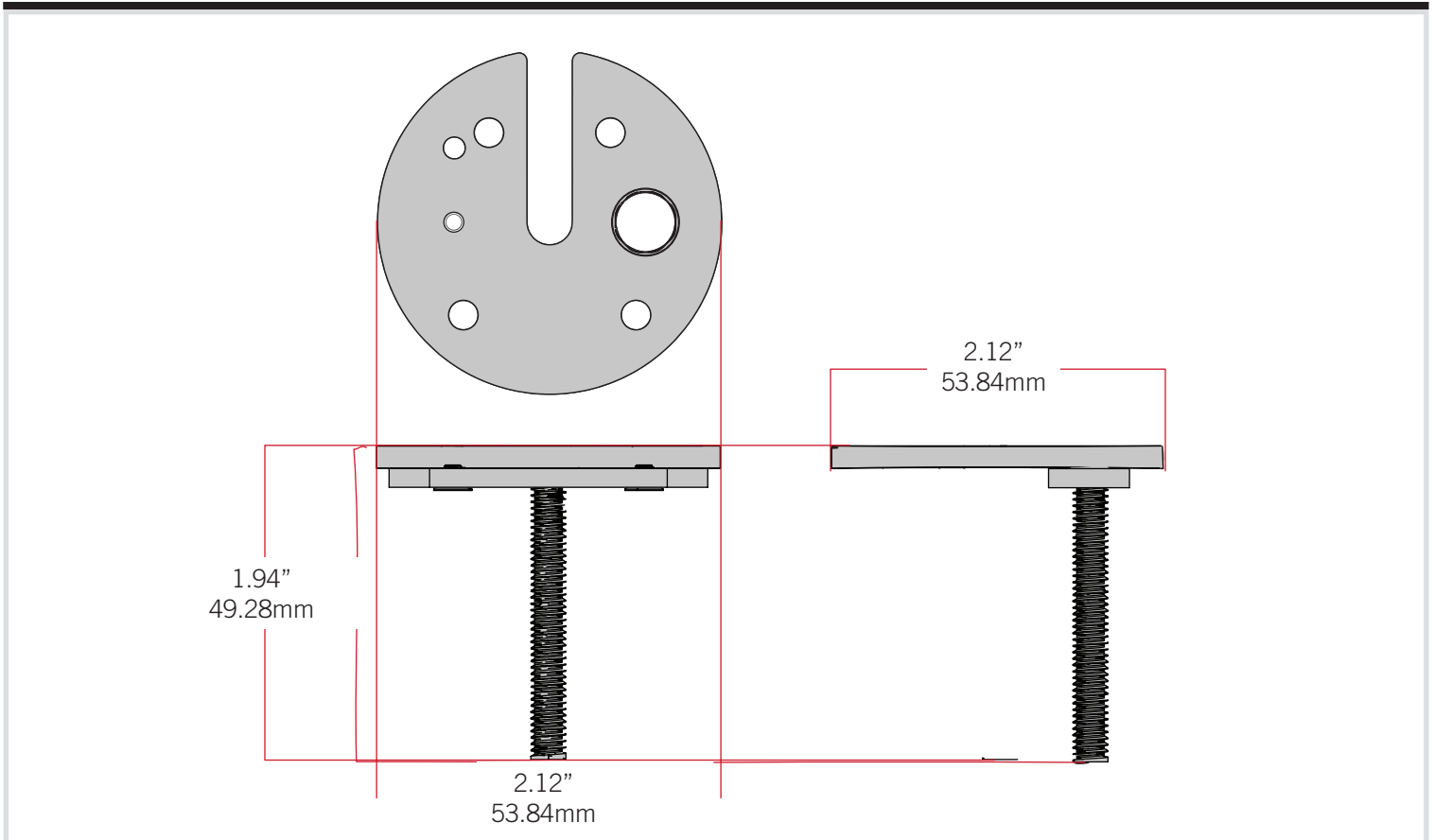
- 2 Beeps = Card Accepted
- 4 Fast Beeps = Card Not valid, action ignored
- 2 Slow Beeps then 4 fast Beeps = Card is valid, action is ignored.

DIMENSIONS - RISER & SHELL 1



DIMENSIONS - RISER & SHELL 2





TECHNICAL DATA / DONNÉES TECHNIQUES

Operating Temperature:	5°C to 40°C
Operating Frequency:	2405 MHz to 2480 MHz
Max Power:	Less than 4 dBm at 2.4 GHz
Operating Frequency:	125kHz
Max Power:	Less than 20 dBuA/m at 3m

Operating Temperature:	5°C to 40°C
Operating Frequency:	2405 MHz to 2480 MHz
Max Power:	Less than 4 dBm at 2.4 GHz
Operating Frequency:	125kHz
Max Power:	Less than 20 dBuA/m at 3m

Additional Safety Information

1. For indoor use only. The apparatus shall not be exposed to water.
2. No user replaceable parts inside; refer servicing to manufacturer or qualified service personnel.
3. Only use accessories specified by the manufacturer.
4. Do not expose to excessive heat sources.

Disposal: All electrical and electronic products including batteries should be disposed of separately from the municipal waste stream via designated collection facilities appointed by the government or the local authorities.

Informations de Sécurité Supplémentaires

1. Pour usage intérieur uniquement. L'appareil ne doit pas être exposé à l'eau.
2. Aucune pièce remplaçable par l'utilisateur à l'intérieur; confiez l'entretien au fabricant ou au personnel d'entretien qualifié.
3. N'utilisez que les accessoires spécifiés par le fabricant.
4. Ne pas exposer à des sources de chaleur excessive.

Mise au rebut: Tous les produits électriques et électroniques, y compris les batteries, doivent être éliminés séparément du flux de déchets municipaux via des installations de collecte désignées par le gouvernement ou les autorités locales.

FCC ID: 2AA2X-15000256

Model: FREEDOM FOCUS

FCC Statement

This device complies with Part 15 of the FCC Rules.

Caution: If any changes or modifications not expressly approved by the party responsible for compliance could void the user's authority to operate the equipment.

Operation is subject to the following two conditions: (1) This device may not cause harmful interference, and (2) This device must accept any interference received, including interference that may cause undesired operation.

The grantee is not responsible for any changes or modifications not expressly approved by the party responsible for compliance. Such modifications could void the user's authority to operate the equipment.

The RF Exposure Compliance distance is 20 millimeters.

NOTE: This equipment has been tested and found to comply with the limits for a Class B digital device, pursuant to part 15 of the FCC Rules. These limits are designed to provide reasonable protection against harmful interference in a residential installation. This equipment generates, uses and can radiate radio frequency energy and, if not installed and used in accordance with the instructions, may cause harmful interference to radio communications. However, there is no guarantee that interference will not occur in a particular installation. If this equipment does cause harmful interference to radio or television reception, which can be determined by turning the equipment off and on, the user is encouraged to try to correct the interference by one or more of the following measures:

- Reorient or relocate the receiving antenna.
- Increase the separation between the equipment and receiver.
- Connect the equipment into an outlet on a circuit different from that to which the receiver is connected.
- Consult the dealer or an experienced radio/TV technician for help.

ISED Certification Number: 24439-15000256

Model: FREEDOM FOCUS

ISED Statement

This device complies with Innovation, Science and Economic Development Canada licence-exempt RSS standard(s). Operation is subject to the following two conditions: (1) this device may not cause interference, and (2) this device must accept any interference, including interference that may cause undesired operation of the device.

CAN ICES-3(B)/NMB-3(B)

Le présent appareil est conforme aux CNR Innovation, Sciences et Développement économique Canada applicables aux appareils radio exempts de licence. L'exploitation est autorisée aux deux conditions suivantes:

(1) il ne doit pas produire de brouillage et (2) l'utilisateur du dispositif doit être prêt à accepter tout brouillage radioélectrique reçu, même si ce brouillage est susceptible de compromettre le fonctionnement du dispositif.

CAN ICES-3(B)/NMB-3(B)

The device meets the exemption from the routine evaluation limits in section 2.5 of RSS 102 and compliance with RSS-102 RF exposure, users can obtain Canadian information on RF exposure and compliance.

Le dispositif rencontre l'exemption des limites courantes d'évaluation dans la section 2.5 de RSS 102 et la conformité à l'exposition de RSS-102 rf, utilisateurs peut obtenir l'information canadienne sur l'exposition et la conformité de rf.

This transmitter must not be co-located or operating in conjunction with any other antenna or transmitter. This equipment should be installed and operated with a minimum distance of 20 millimeters between the radiator and your body.

Cet émetteur ne doit pas être Co-placé ou ne fonctionnant en même temps qu'aucune autre antenne ou émetteur. Cet équipement devrait être installé et actionné avec une distance minimum de 20 millimètres entre le radiateur et votre corps.



This product contains a rechargeable battery. Proper storage, use, and disposal of the battery is important. Please refer to the guidelines below:

- i. Properly dispose of the battery; Do not dispose of the battery into a furnace/oven or into a fire or mechanically crush or cut the battery, as this could cause the battery to explode.
- ii. Storing the battery in an environment at higher temperatures than stated above can result in explosion or leaking of flammable liquid or gas.
- iii. Subjecting a battery to very low air pressure or high altitudes can result in explosion or leaking of flammable liquid or gas.



Ce produit contient une batterie rechargeable. Le stockage, l'utilisation et la mise au rebut appropriés de la batterie sont importants. Veuillez vous référer aux directives ci-dessous:

- i. Éliminez correctement la batterie; Ne jetez pas la batterie dans un four / un four ou dans un feu ou n'écrasez pas ou ne coupez pas mécaniquement la batterie, car cela pourrait faire exploser la batterie.
- ii. Le stockage de la batterie dans un environnement à des températures plus élevées que celles indiquées ci-dessus peut entraîner une explosion ou une fuite de liquide ou de gaz inflammable.
- iii. Soumettre une batterie à une pression d'air très basse ou à des altitudes élevées peut entraîner une explosion ou une fuite de liquide ou de gaz inflammable.



Safety Warnings and Precautions

DANGER

- LITHIUM-ION BATTERIES CAN POSE A RISK OF FIRE, PROPERTY DAMAGE AND SERIOUS INJURY IF DAMAGED OR USED PAST THEIR EFFECTIVE LIFE (USUALLY 14 MONTHS).
- STOP USING THE BATTERY IMMEDIATELY AND STOP CHARGING THE BATTERY IF ABNORMAL HEAT, ODOR, DISCOLORATION, DEFORMATION/SWELLING OR ANY OTHER ABNORMAL CONDITION IS DETECTED.
- Thoroughly read the user's manual before use, as inaccurate handling, storage or use of lithium-ion rechargeable batteries may cause leakage, heat, smoke, fire, or degrade battery performance.
- Lithium-Ion batteries have finite life cycles. If the time that the battery powers equipment between charges becomes shorter than usual, the battery life is at an end. Remove device from service and contact MTI for guidance on replacement options.

CAUTION

- Keep away from heat or open flame, especially if leakage or an odor is detected.
- When not using the battery for an extended period, remove the electronic device from service and store in a place with low humidity and controlled room temperature. Keep the cells in 50% charged state during long period storage. Recommend maintenance is to charge the battery up to 50% of the total capacity every 3 months after receipt of the battery and maintain the voltage 3.7~4.0V.
- Extended or improper storage can result in degraded battery performance and increased risk of failure.

FIRST AID MEASURES

- In case of battery rupture, evacuate personnel from contaminated area and provide maximum ventilation to clear out fumes and gases. Avoid contact with any liquid leaking from the battery.
- If liquid leaks onto your skin or clothes, immediately flush affected areas with plenty of water and soap for at least 15 minutes and seek medical attention. Do not apply ointments unless instructed by a doctor.
- If liquid is leaking from the battery cell gets into your eyes, do not rub your eyes. Immediately flush with plenty of water (eyelids-held open) for at least 15 minutes and seek medical attention.