

Product Manual for **FREEDOM MICRO® II** **Mechanical High Security**

Contents

1.	Components And Accessories	2
2.	Baseplate Options	3
3.	Mounting Riser to Fixture	4
4.	Speedbracket™ Merchandising	5
5.	Speedbracket™ Removal	7
6.	Removing OEM power Cable	8
7.	Dimensions	8

DO NOT REMOVE FROM STORE



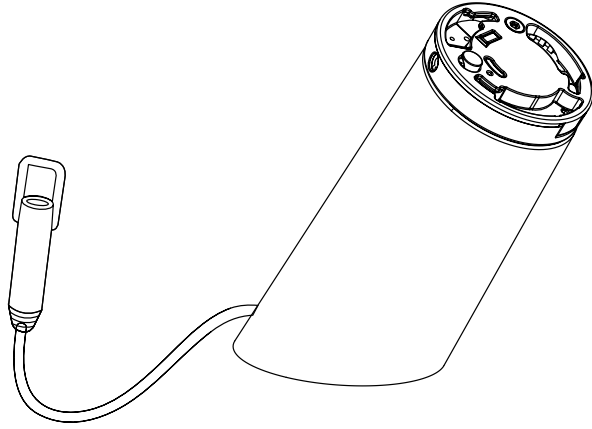
**For additional support, please reach out to our
Contact Center at 800-426-6844**



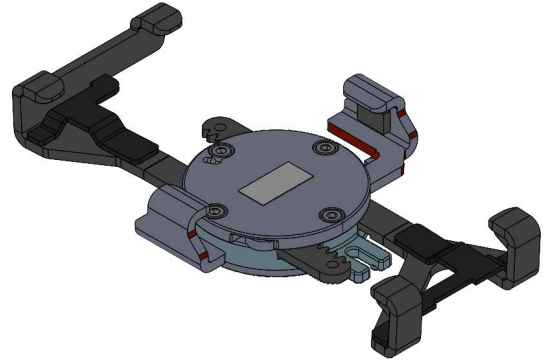
WARNING: MTI products contains chemicals known to the State of California to cause cancer and birth defects or other reproductive harm. Proposition 65, California Health & Safety Code Section 25249.6 et seq. Visit oehha.ca.gov for more information.



Freedom Micro® II Mechanical High Security Riser and Puck

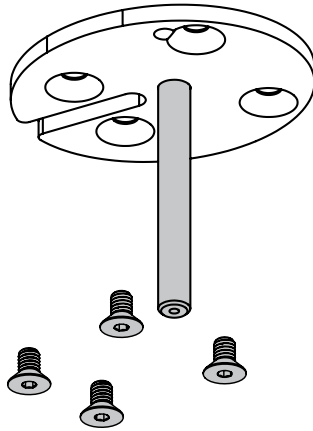


SpeedBracket™

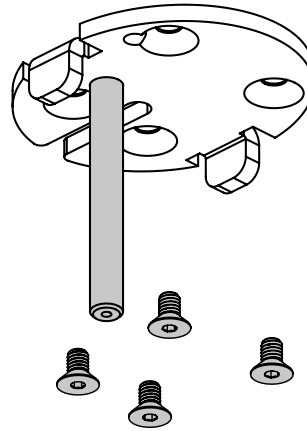


Mounting Options

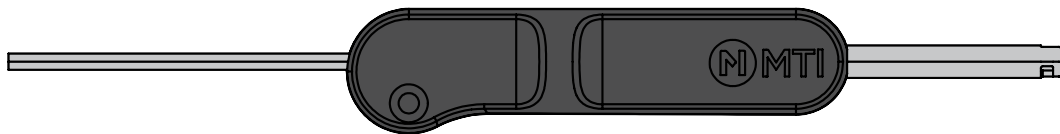
Through Hole Mounting



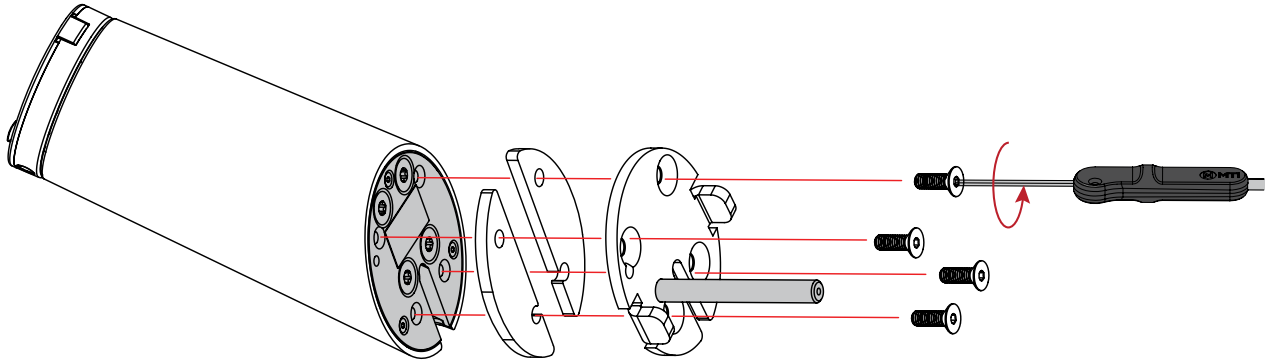
Slot Mounting




Freedom Micro® II Tool

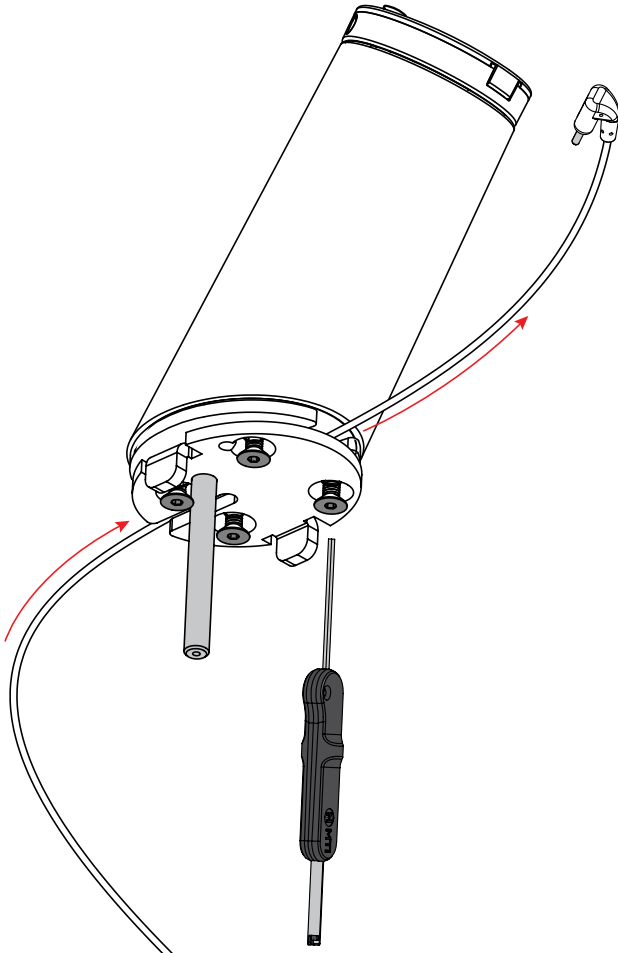


- 1** Riser, spacers, and baseplate come pre-assembled as shown. Upon opening the box, loosen all four screws 3-4 turns to route OEM power cable in next step.

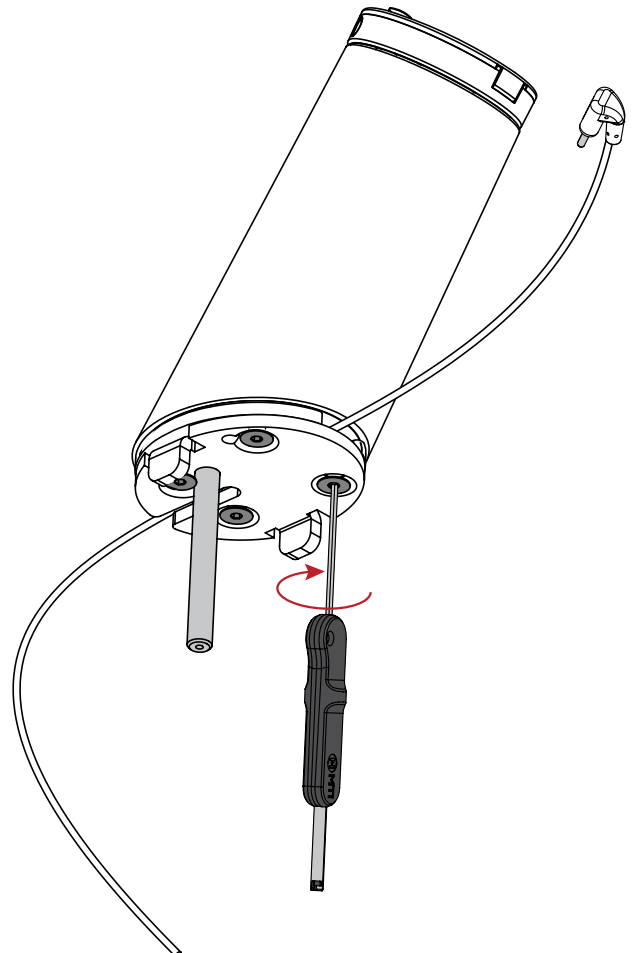


 **Slot adapter shown. Through-hole adapter attaches in the same way.**

- 2** Feed OEM power cable included with device through cable channel between the riser and baseplate. Cable should be routed such that the device end of the cable is inserted to the back of the riser and exits from the front of the riser.

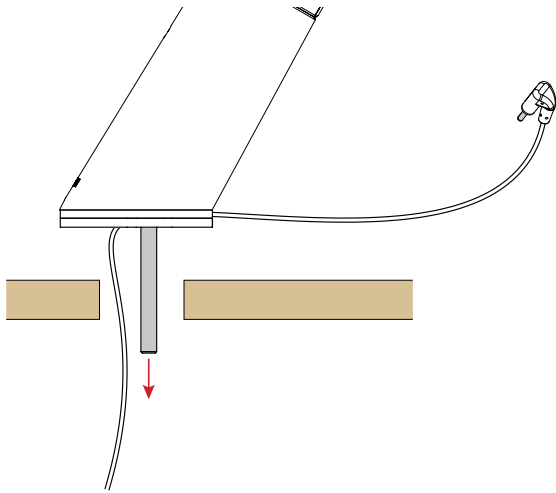


- 3** Tighten all four baseplate screws after routing OEM power cable.

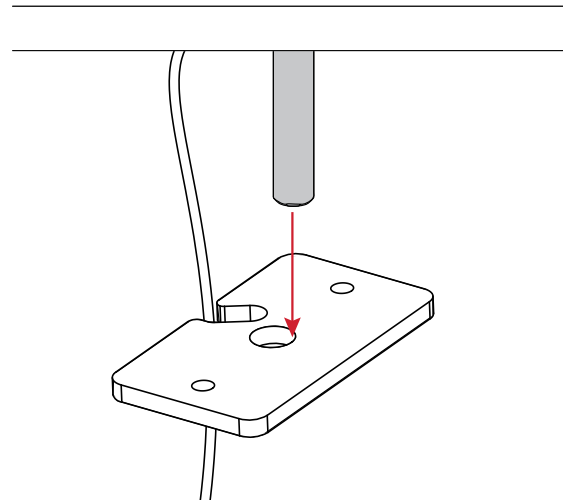


MOUNTING SLOT & THROUGH-HOLE ADAPTERS

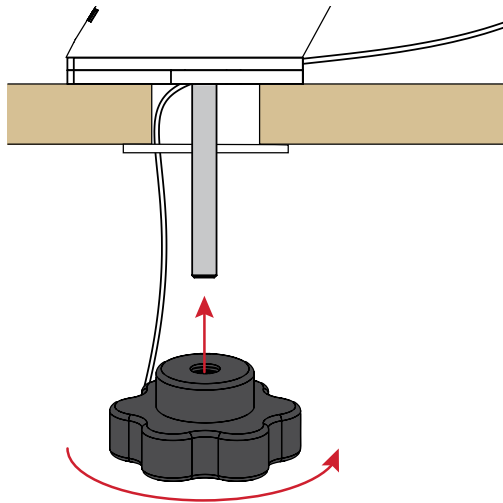
1 Insert the Freedom Micro® II position into the slot or hole.



2 Align bottom plate to slot adapter.



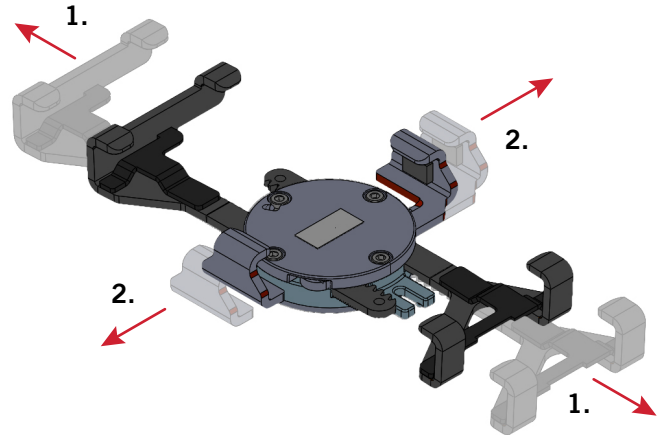
3 Secure the Freedom Micro® II position with the knob.



- 1** Loosen the center screw on the universal bracket to loosen the bracket arms.

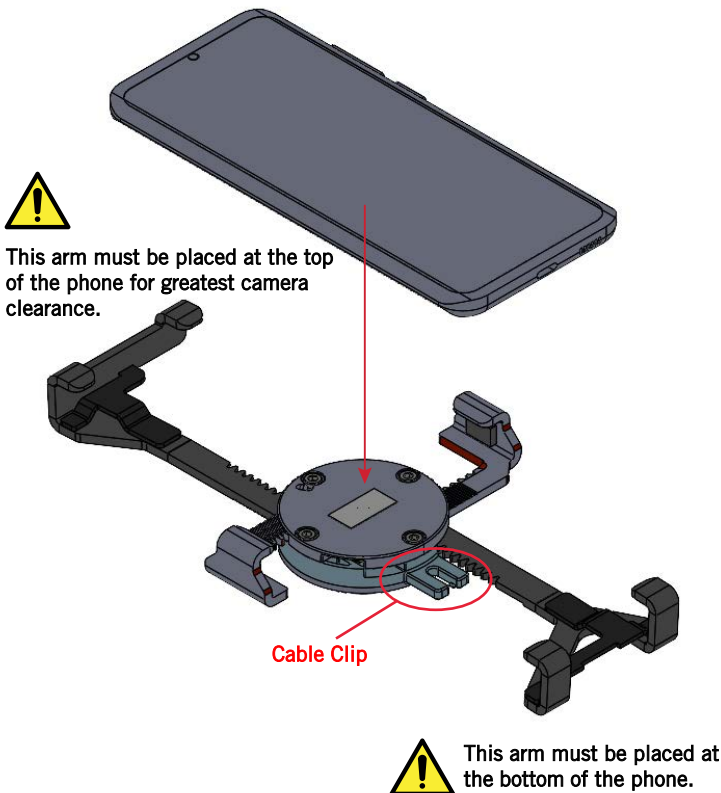


- 2** Extend the bracket arms as far as needed. The bracket arms move simultaneously in pairs (top & bottom, and left & right).

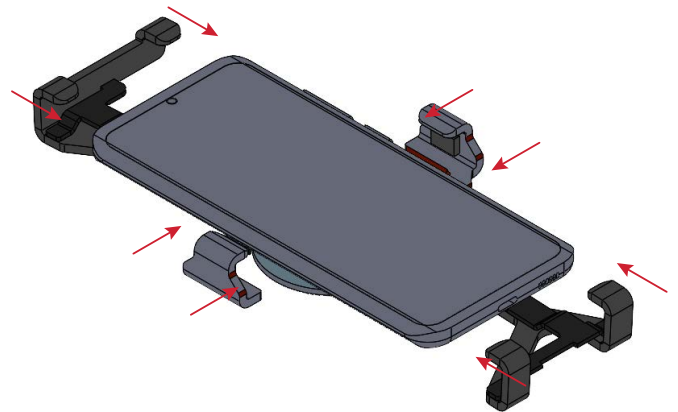


Open the top and bottom bracket arms, then the side arms, in that order.

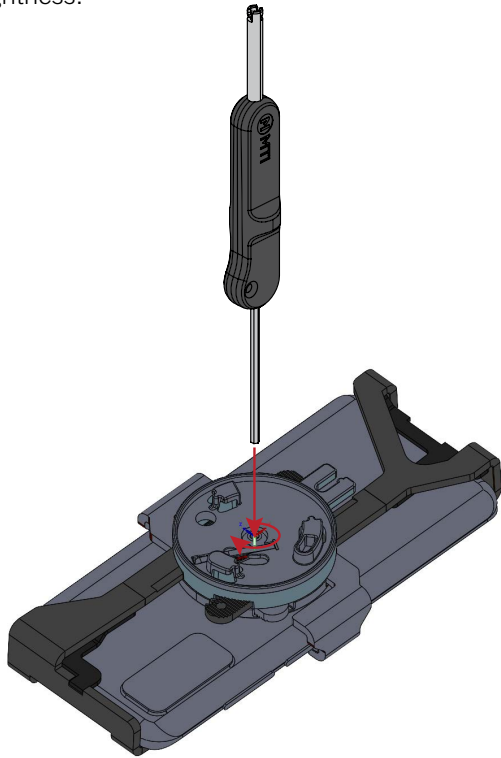
- 3** Place the phone into the SpeedBracket with charge port the phone towards the cable clip.



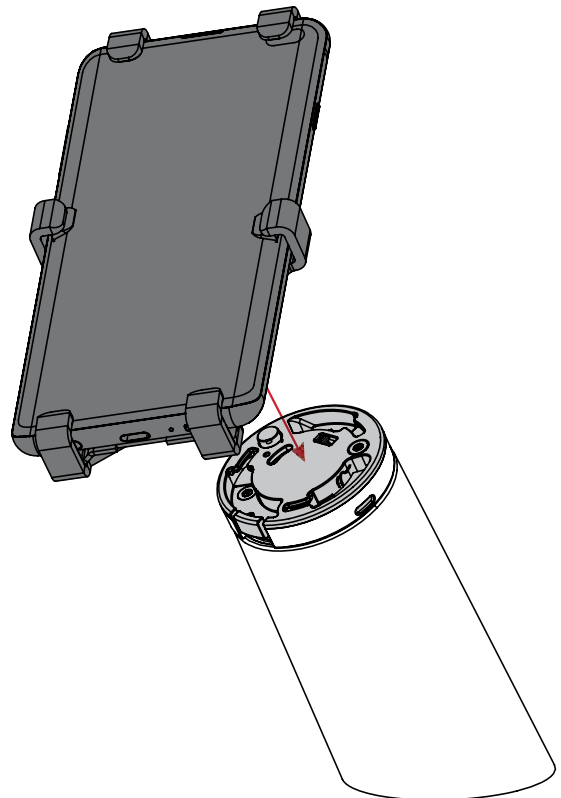
- 4** Adjust the universal bracket to fit the device snugly.



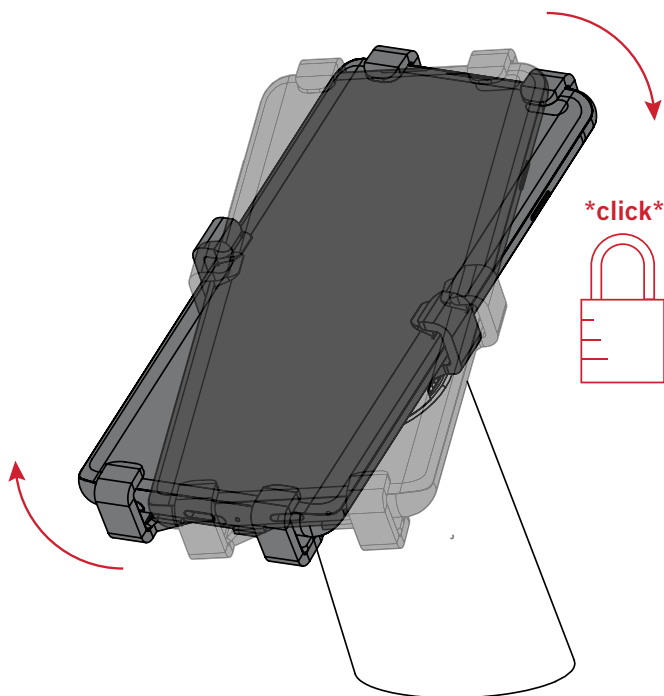
5 Tighten the center screw on the SpeedBracket™ to secure the bracket arms in place around the device. After tightening screw, wiggle the arms to ensure they have fully engaged the lock teeth, then re-check screw for tightness.



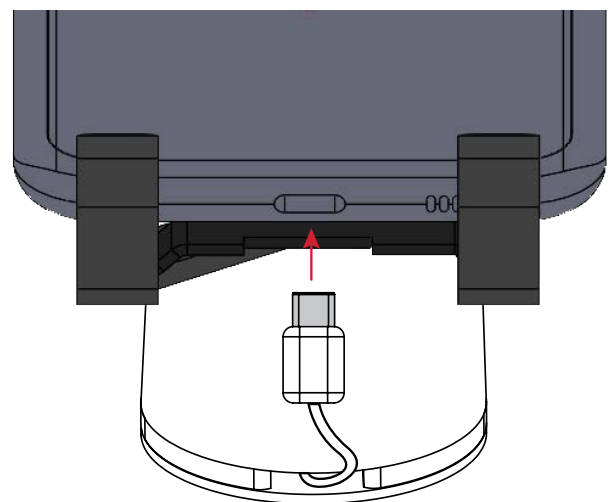
6 Place device back onto puck.



7 Rotate the device and bracket clockwise on the puck until it locks into place.

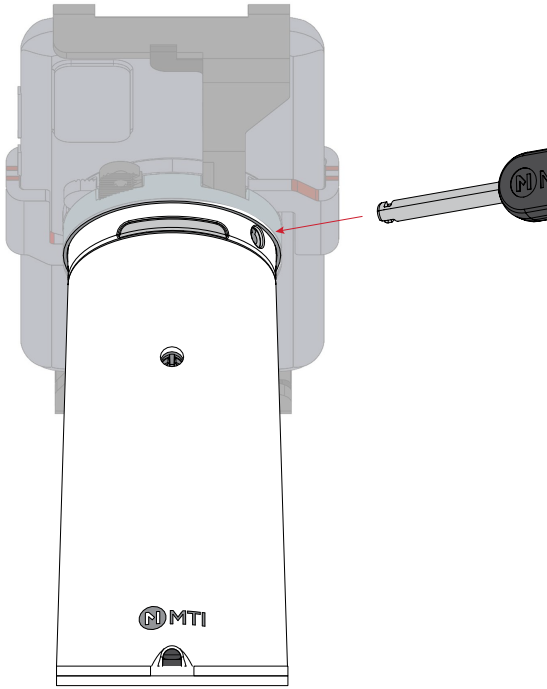


8 Once OEM cable has been routed (page 3) plug into device.

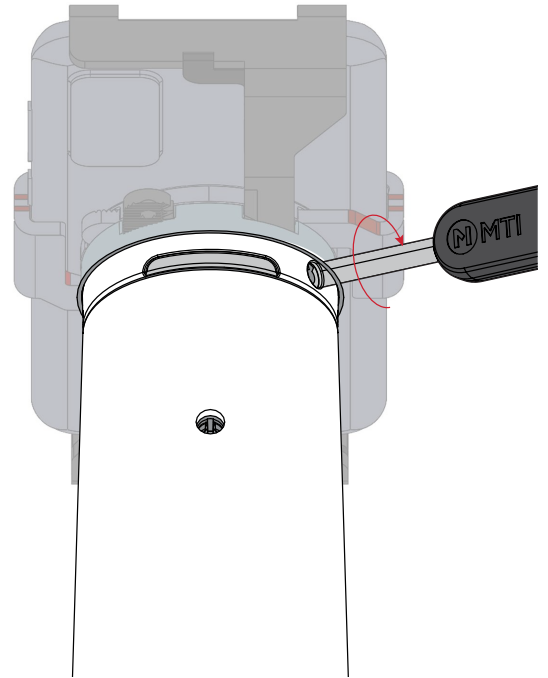


REMOVING SPEEDBRACKET™ FROM PUCK

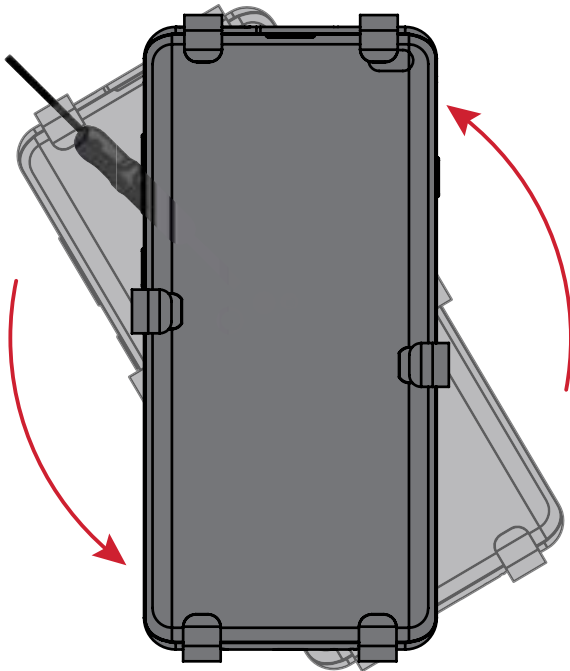
- 1** Insert the crescent end of the Freedom Micro® II tool into the opening to the right of the LED.



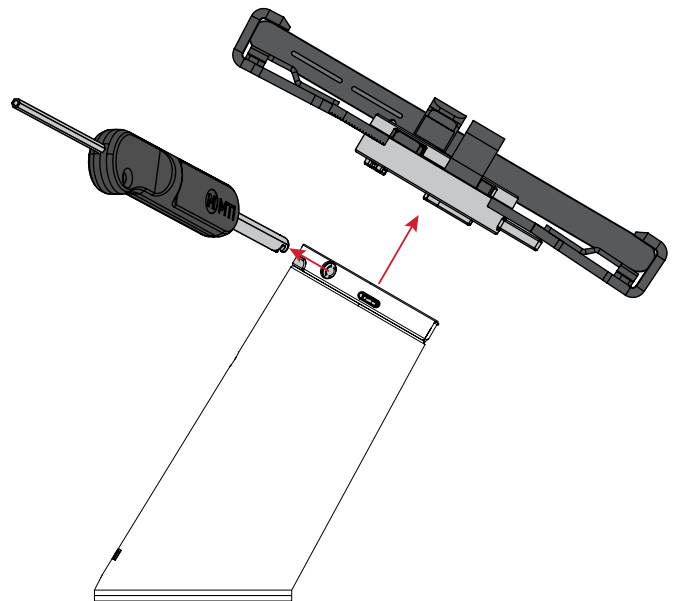
- 2** Twist the Freedom Micro® II tool clockwise 45 degrees and hold it in place.



- 3** With the Freedom Micro® II tool held in the twisted position, rotate the SpeedBracket™ counterclockwise.

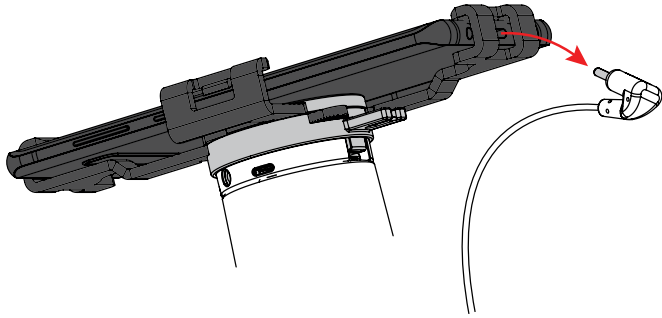


- 4** Remove the SpeedBracket™ from the Freedom Micro® II Puck, then release and remove the Freedom Micro® II tool.

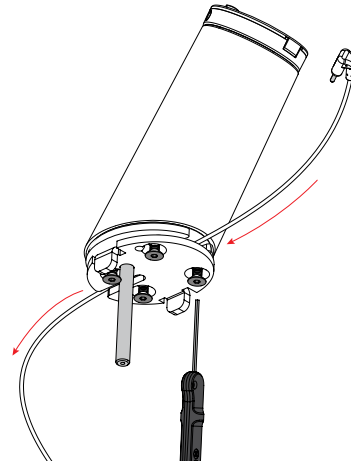


REMOVING OEM CABLE FROM DEVICE

1 Remove OEM cable from device.



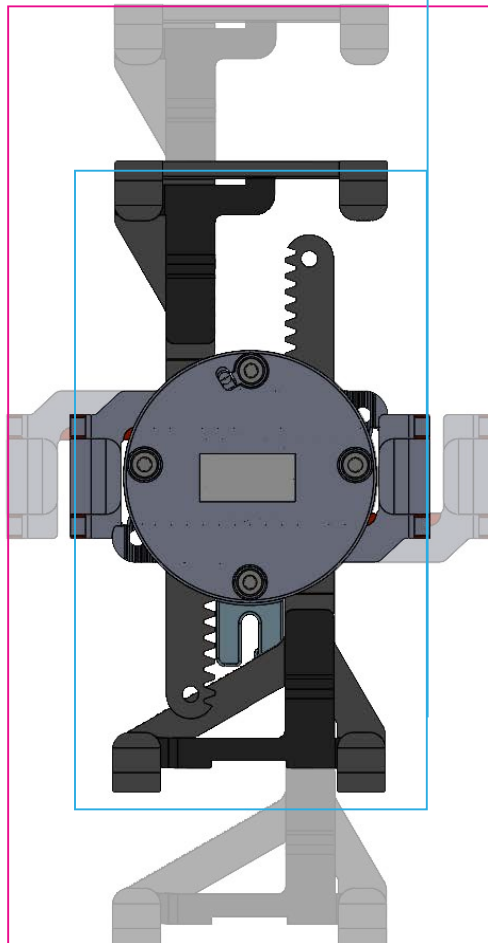
2 Detach Riser from fixture and route OEM cable through (reverse order page 3. step 2)



SPEEDBRACKET™ DIMENSIONS

MAXIMUM: 180mm H x 90mm W

MINIMUM: 118mm H x 65mm W



1.11"

