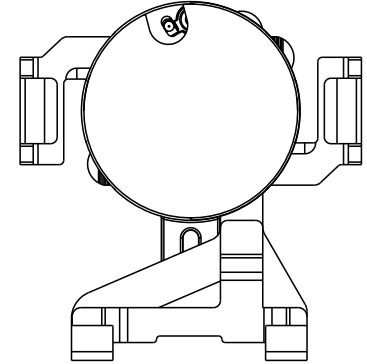
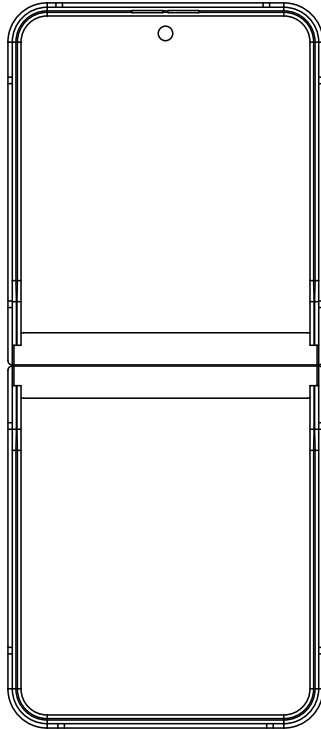


**Additional Required Item:**

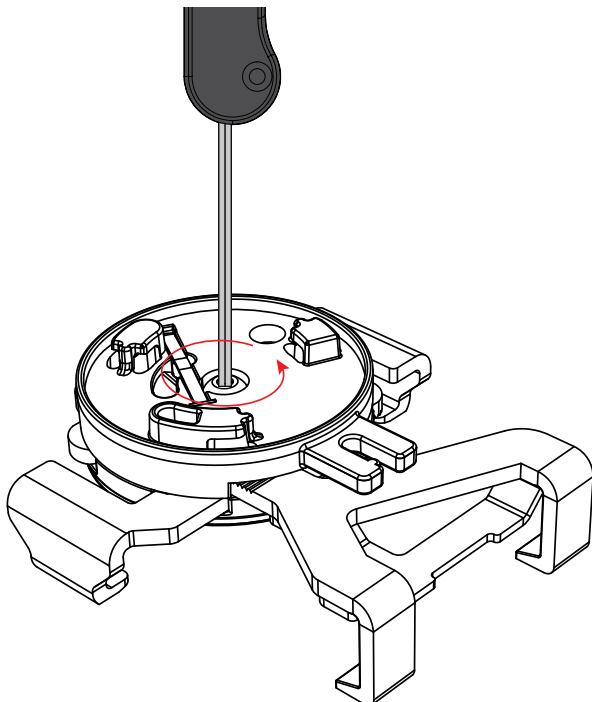
- MTI Retail Tool 003-00036
- Alcohol Pad



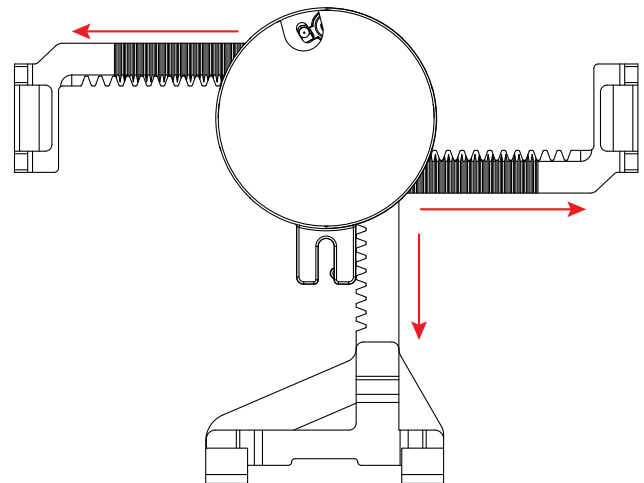
MTI Retail Tool

## BRACKET INSTALLATION

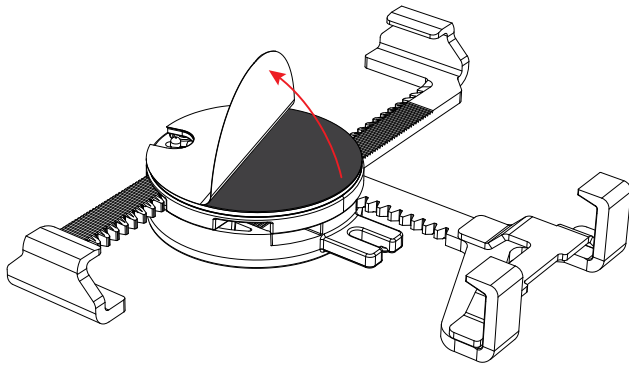
- 1** Prepare SpeedBracket™ by loosening screw on back of bracket hub.



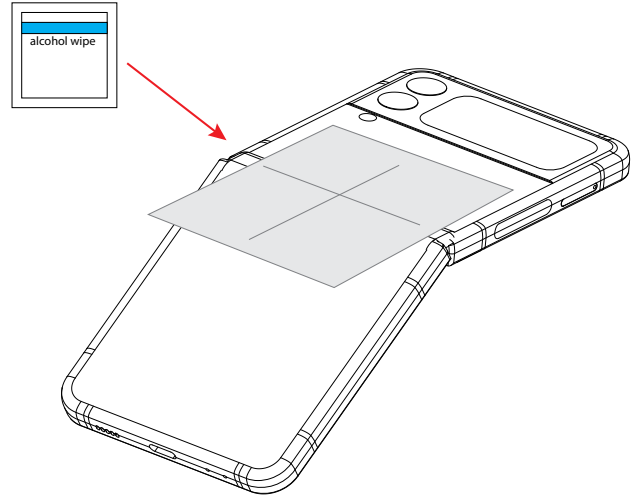
- 2** Extend arms out. Avoid pulling arms out of hub completely.



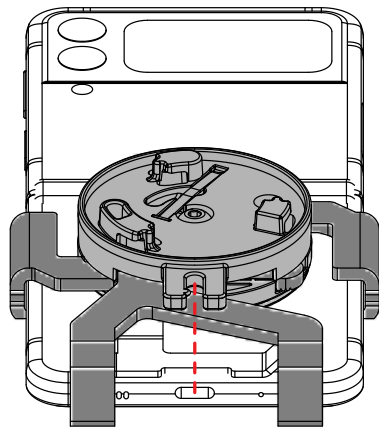
3 Peel paper liner from VHB on phone adapter.



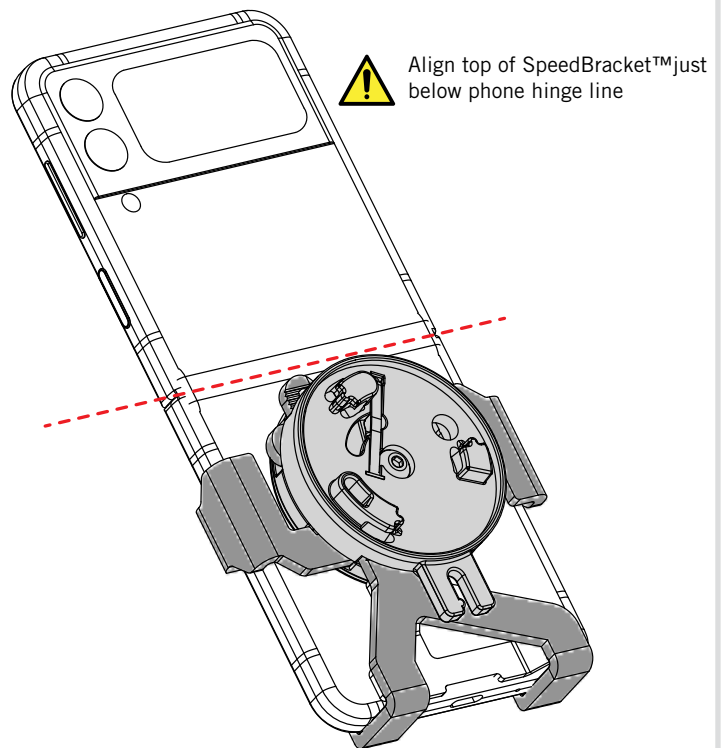
4 Clean phone with alcohol wipe.



5 Apply phone to hub, aligning the top of SpeedBracket™ hub just below phone hinge line, and centering horizontally. Cable clip on hub should be facing charge port on phone. Apply pressure on hub to ensure VHB adhesion.

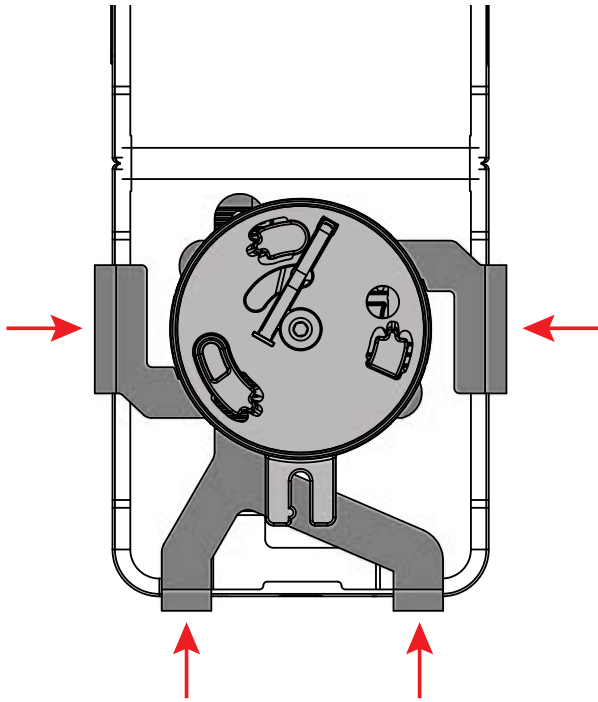


Cable clip and charge port should align

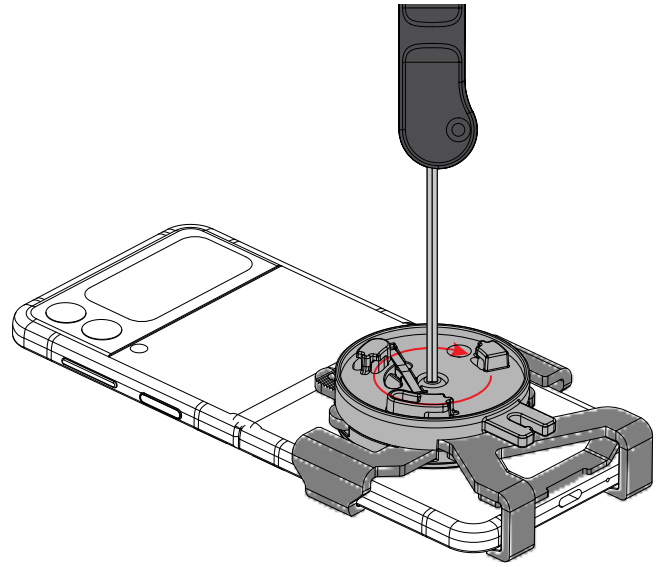


Align top of SpeedBracket™ just below phone hinge line

6 Squeeze SpeedBracket™ arms tightly together.



7 Tighten center hub screw to retain arms.



8 Attach to Micro II position.

