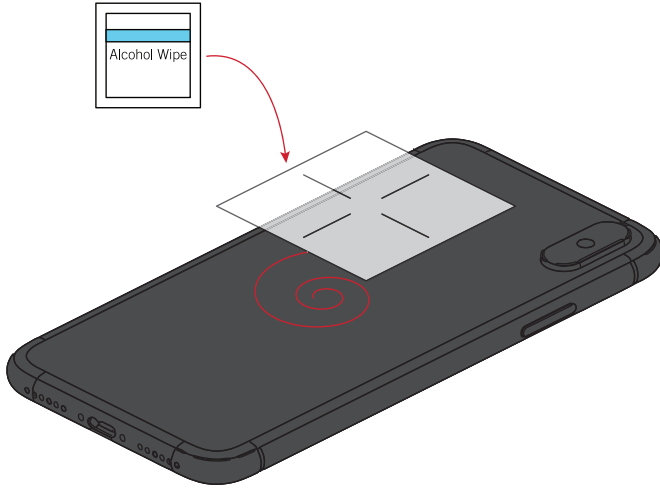
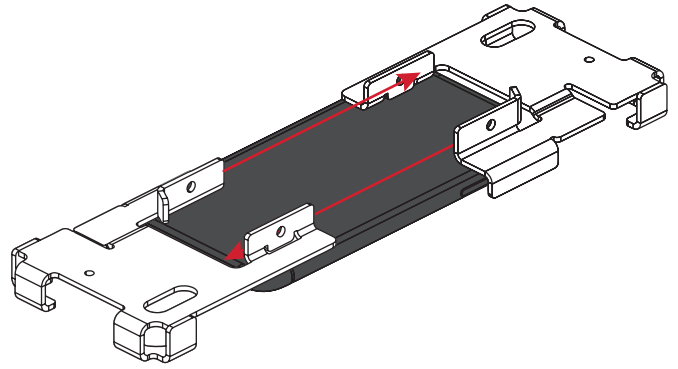


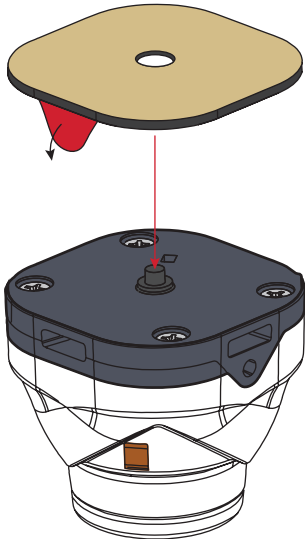
1



2

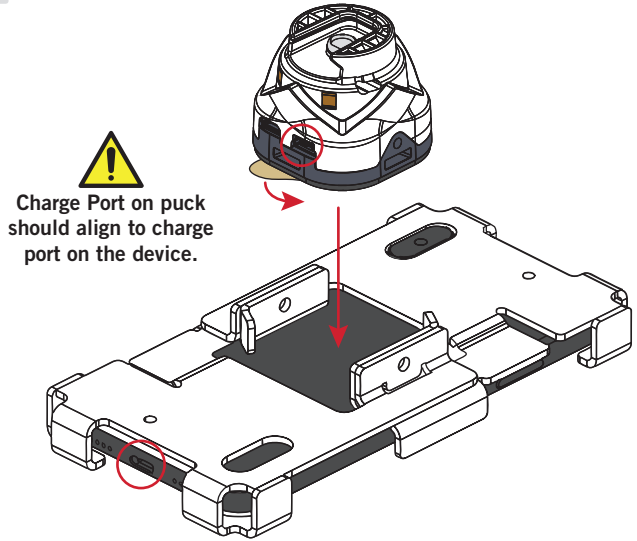


3

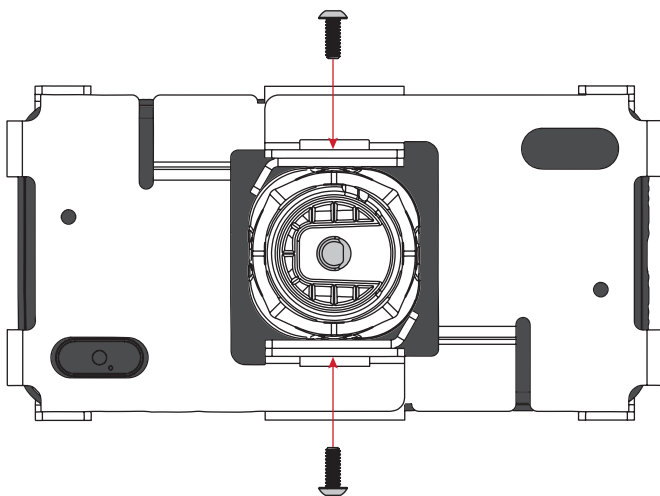


 Red side of VHB should face puck, tan side should face device for proper adhesion.

4



5



6

