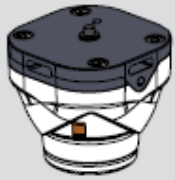




Motorola Juno Freedom Micro Bracket

Installation Guide

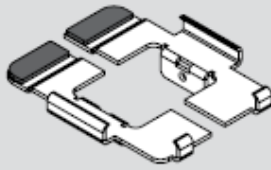




Freedom Micro® Puck



VHB with Transfer



Bracket



Security Screws

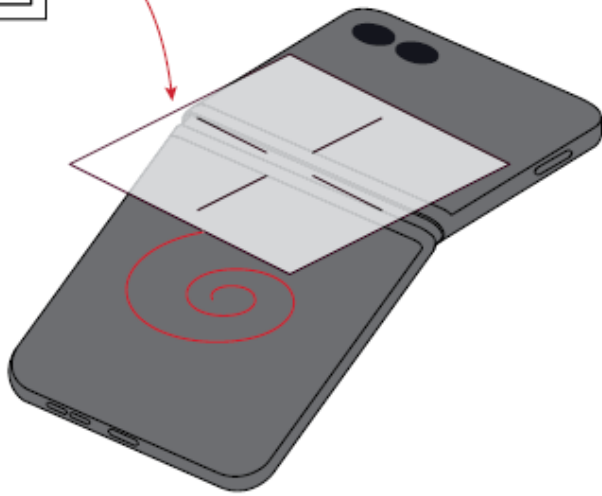


Double-Sided System Tool

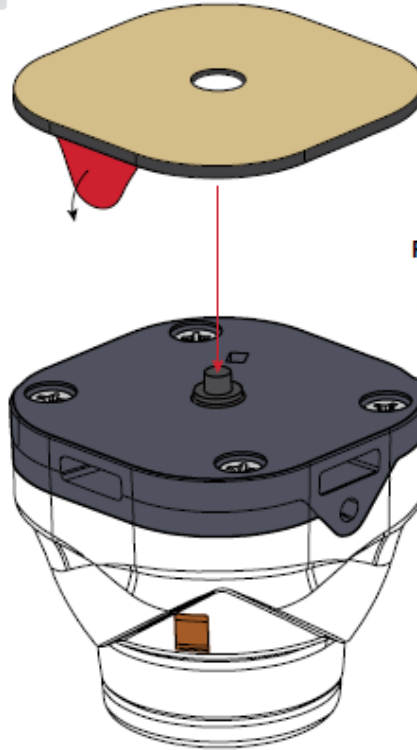



Alcohol Wipe

1

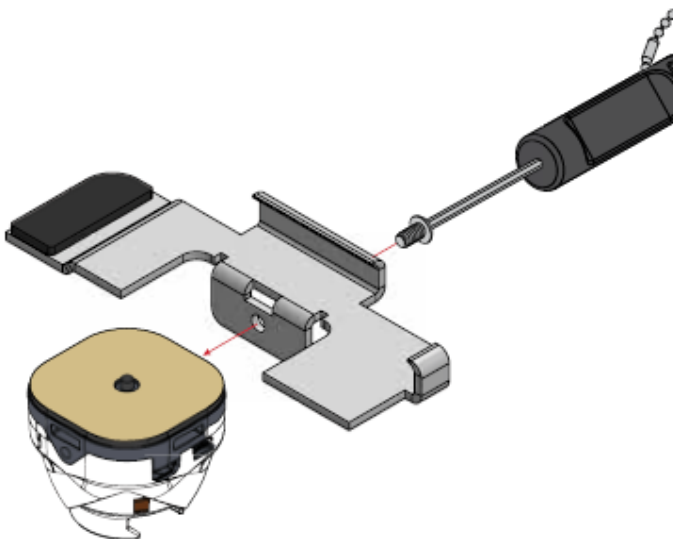


2

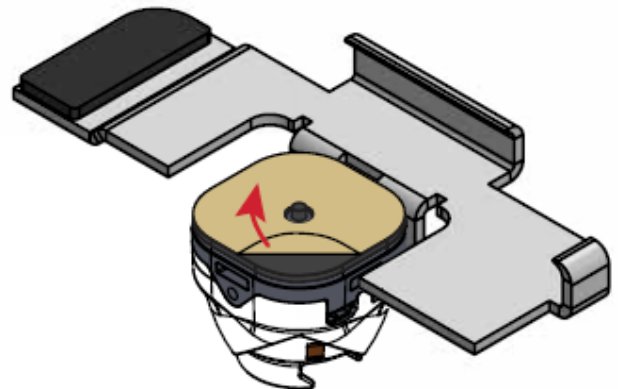


 Red side of VHB should face puck, tan side should face device for proper adhesion.

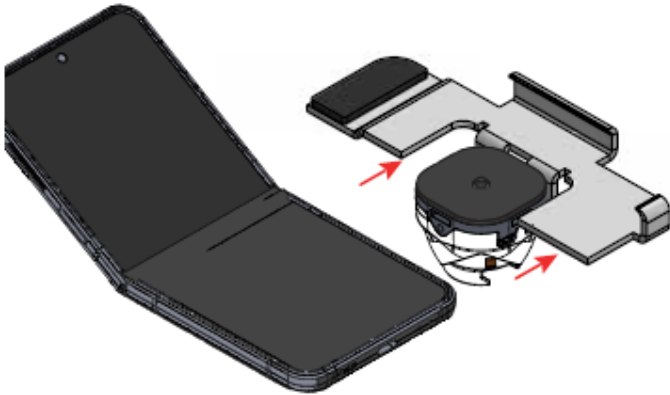
3



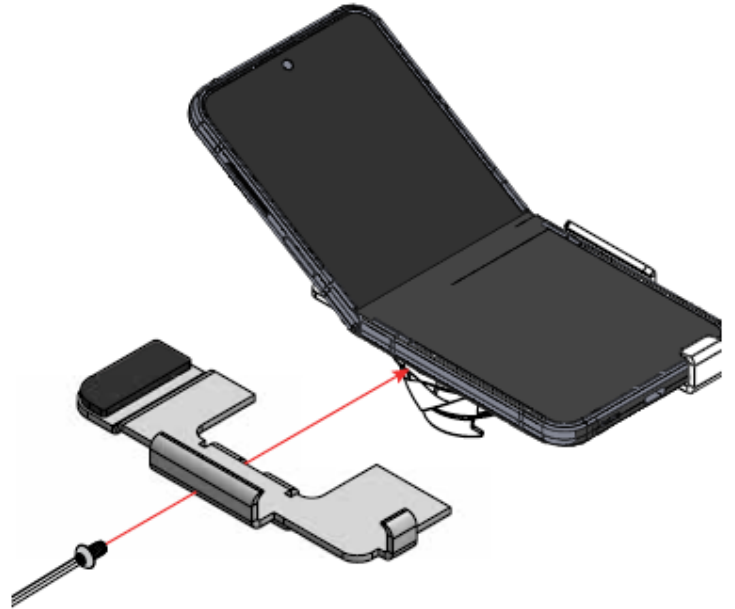
4



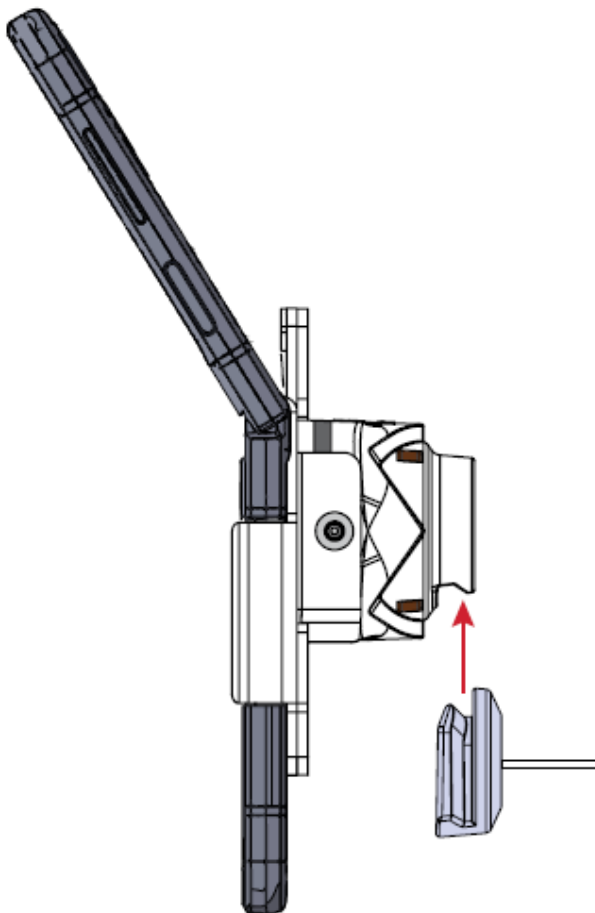
5



6



7



8