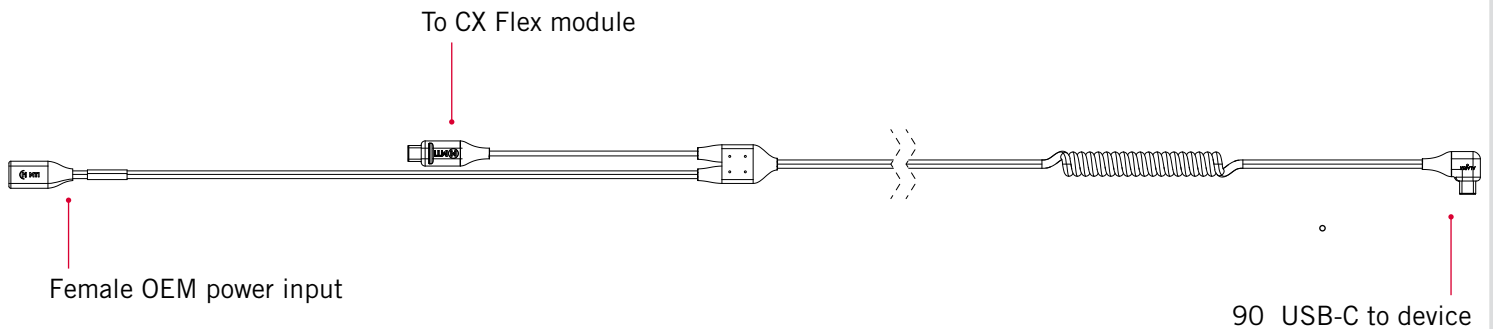
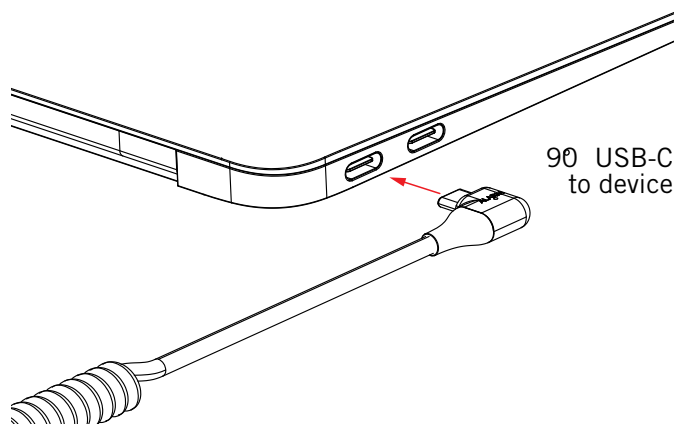


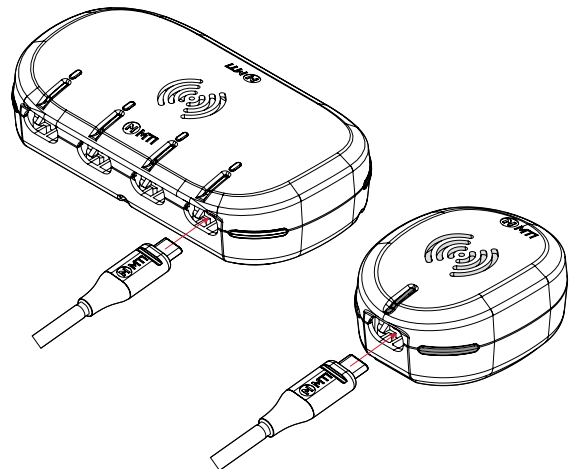
POWER INJECTOR CABLE



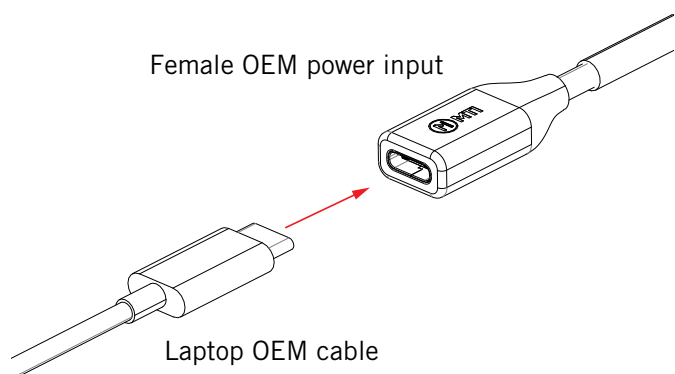
1 Plug USB-C into Laptop/device.



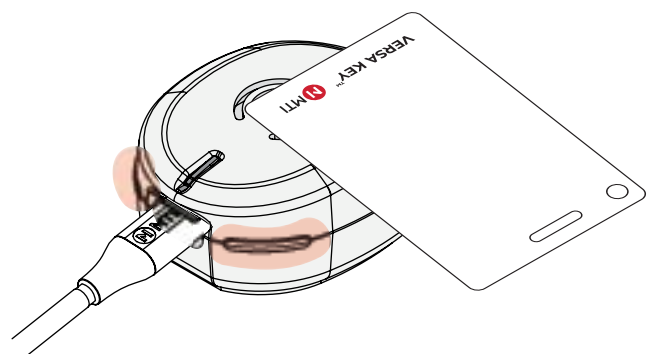
2 Plug straight USB-C into CX Flex (single or four port modules)



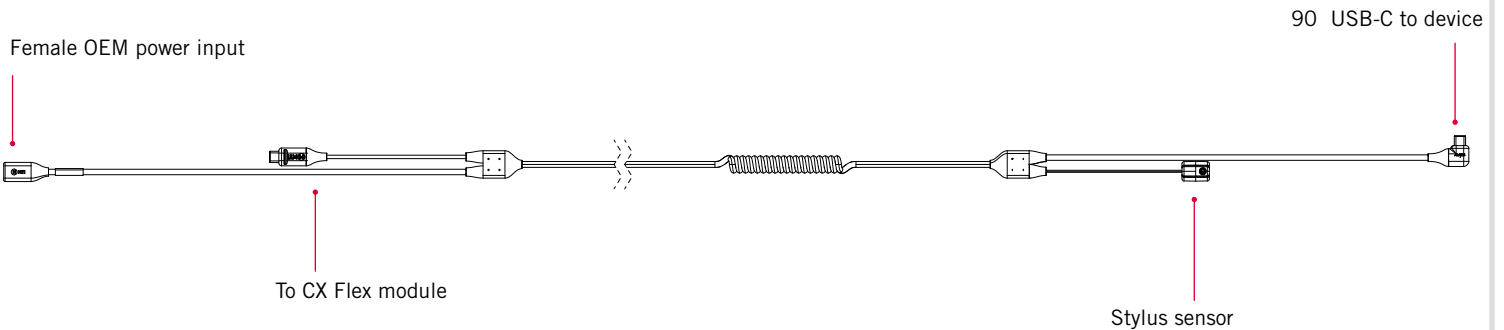
3 Plug female USB-C into Laptop OEM power cable.



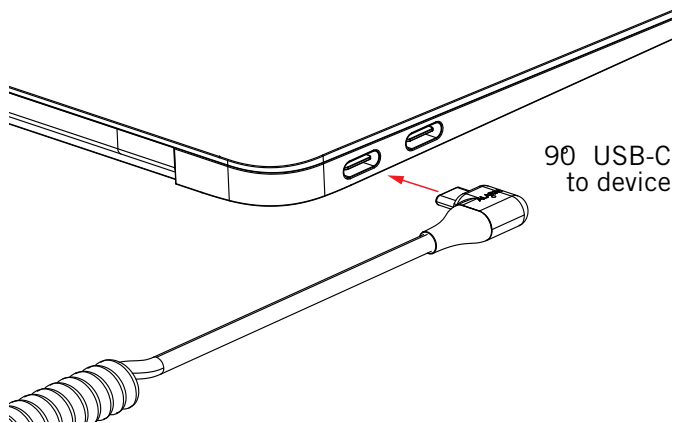
4 Arm CX Flex alarm module with RFID card.



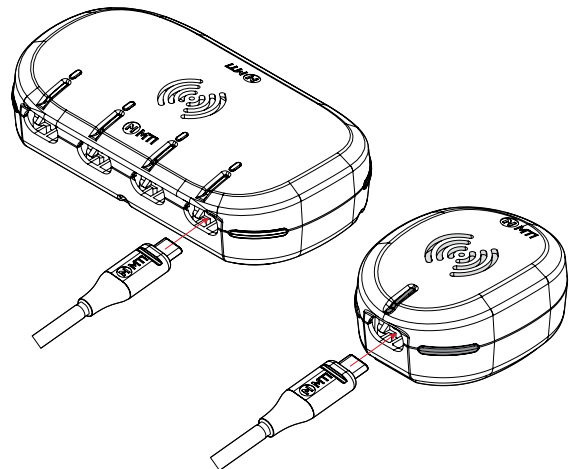
POWER INJECTOR CABLE w/STYLUS



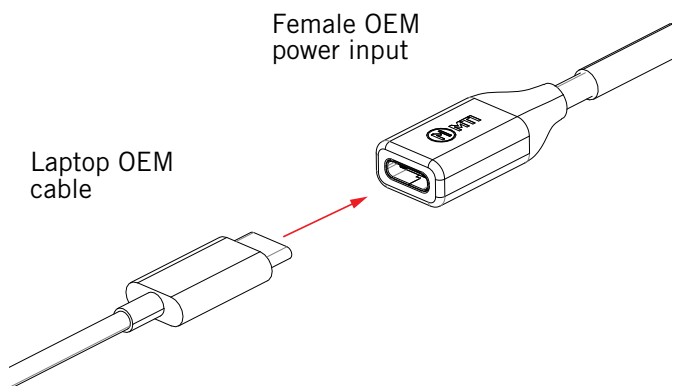
Plug USB-C into Laptop/device.



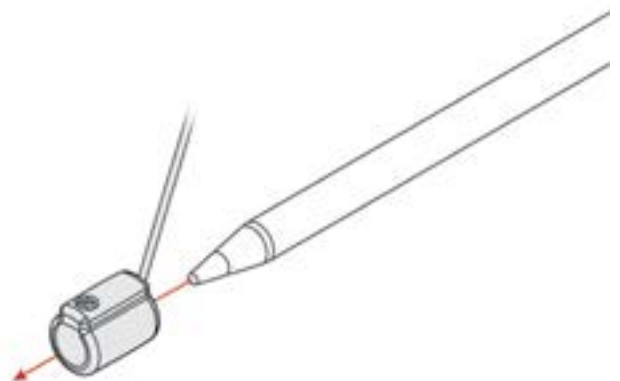
Plug straight USB-C into CX Flex (single or four port modules)



Plug female USB-C into Laptop OEM power cable.



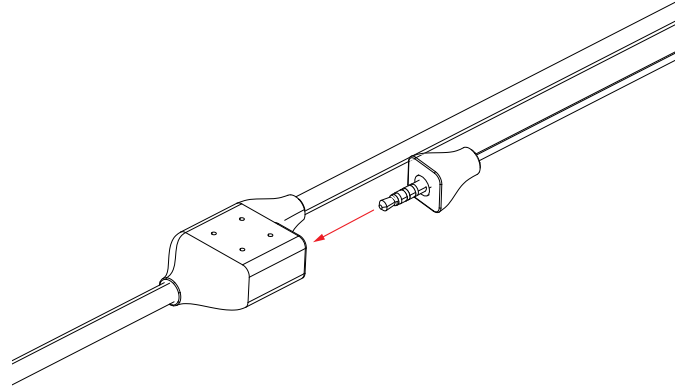
Slide stylus into stylus sensor.



5 Tighten sensor screw snug to stylus.



2 Plug AV connection into overmold (closest to Laptop)



4 Arm CX Flex alarm module with RFID card.

