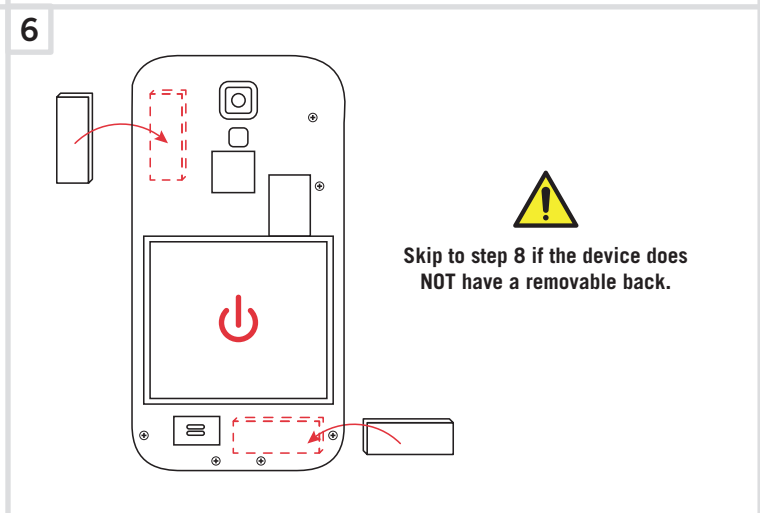
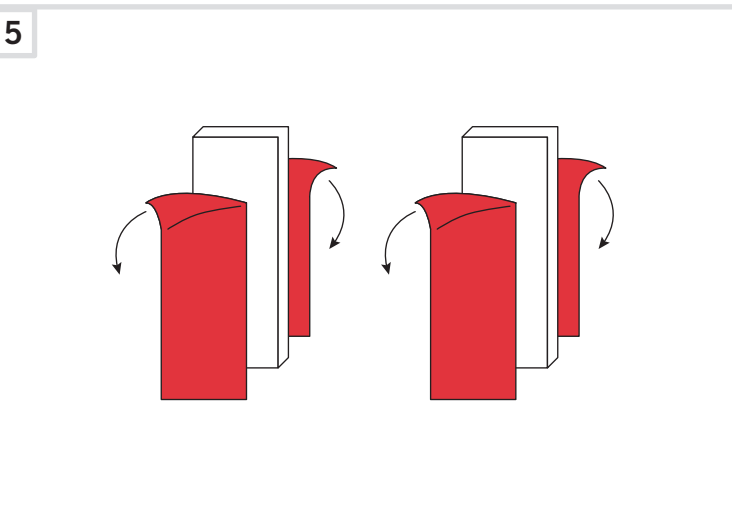
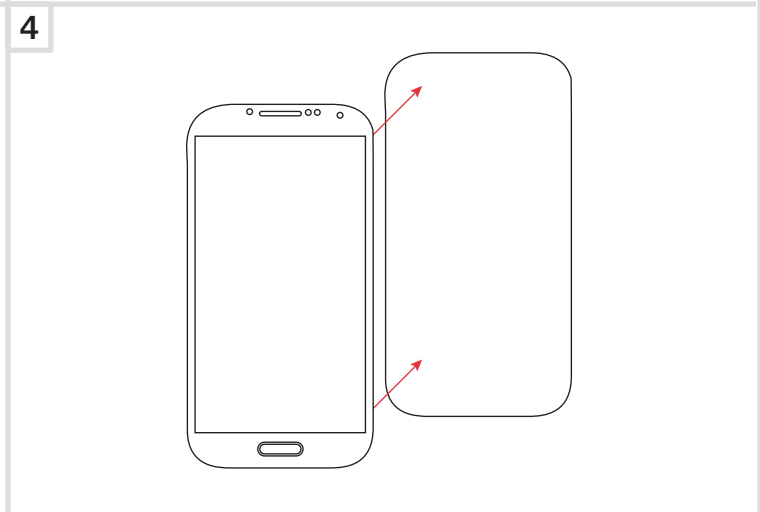
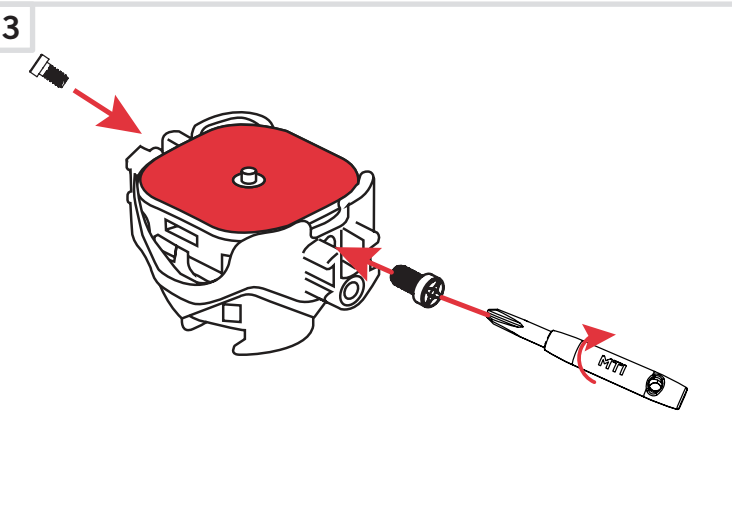
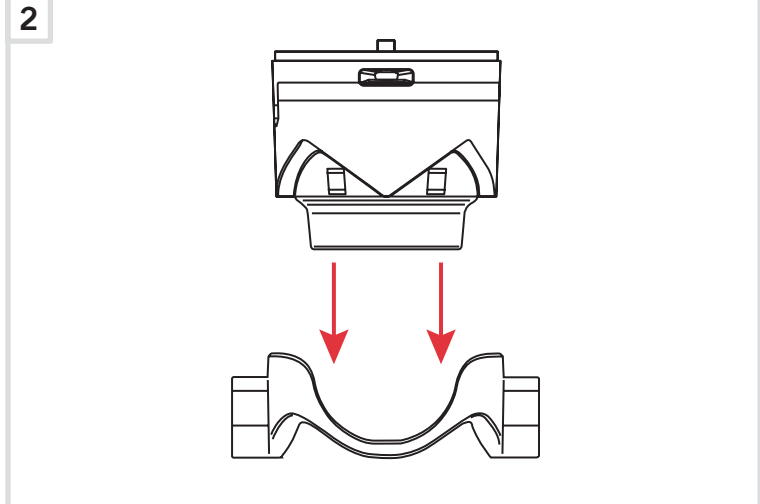
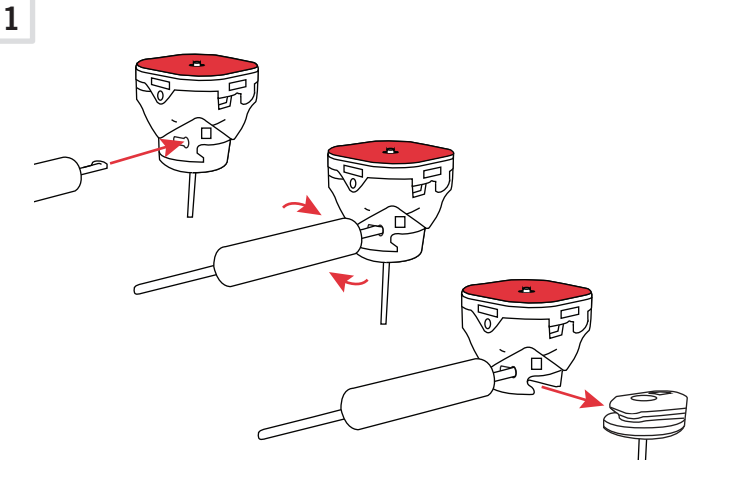
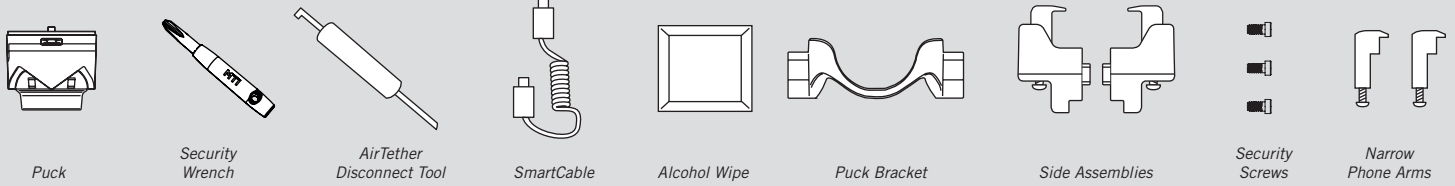
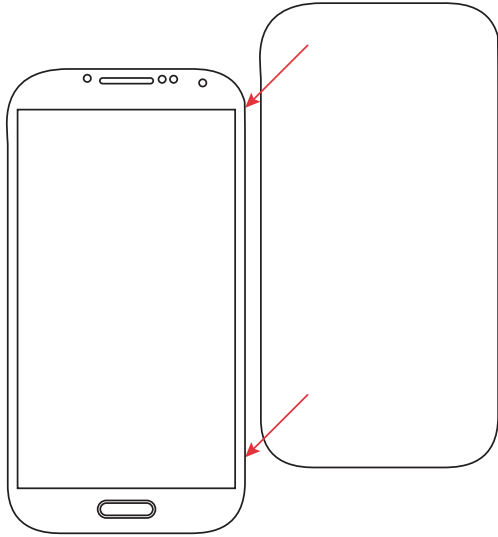


**⚠ Please note that VHB adhesion takes 24 hours.** **NOTES BEFORE INSTALLING:** Clean back of device and top of Puck with alcohol wipe. Do not over-tighten screws. Over-tightening screws may damage devices and Freedom products.

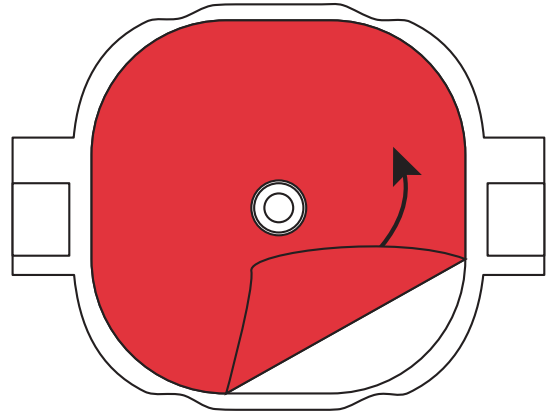
**PARTS LIST**



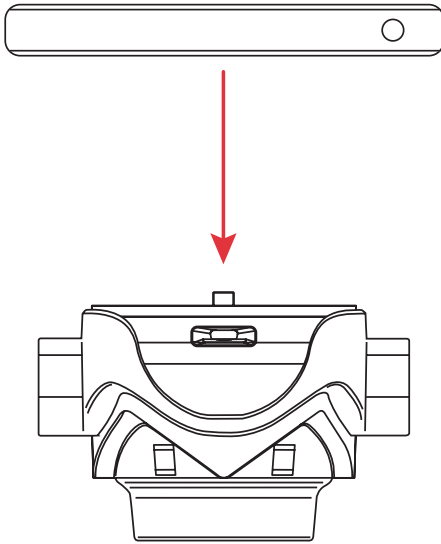
7



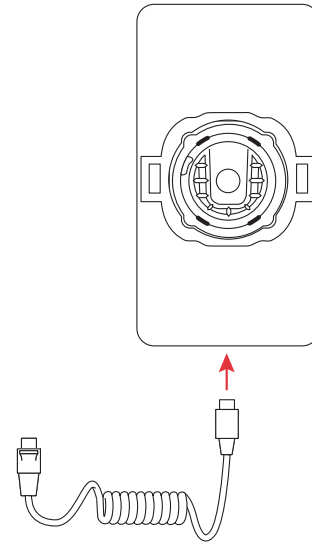
8



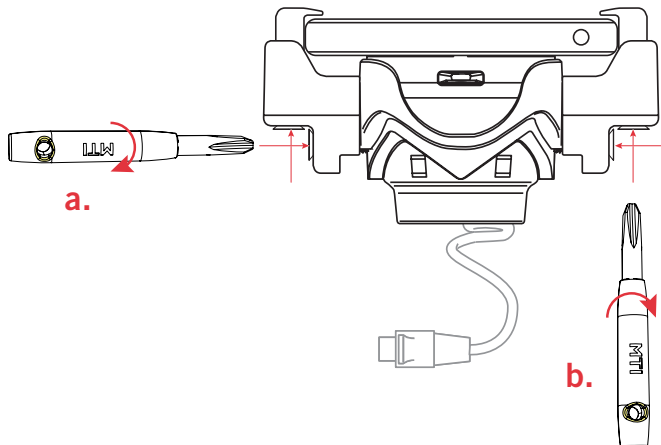
9



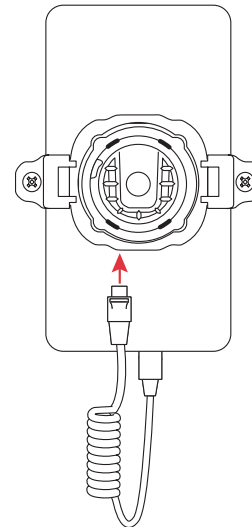
10

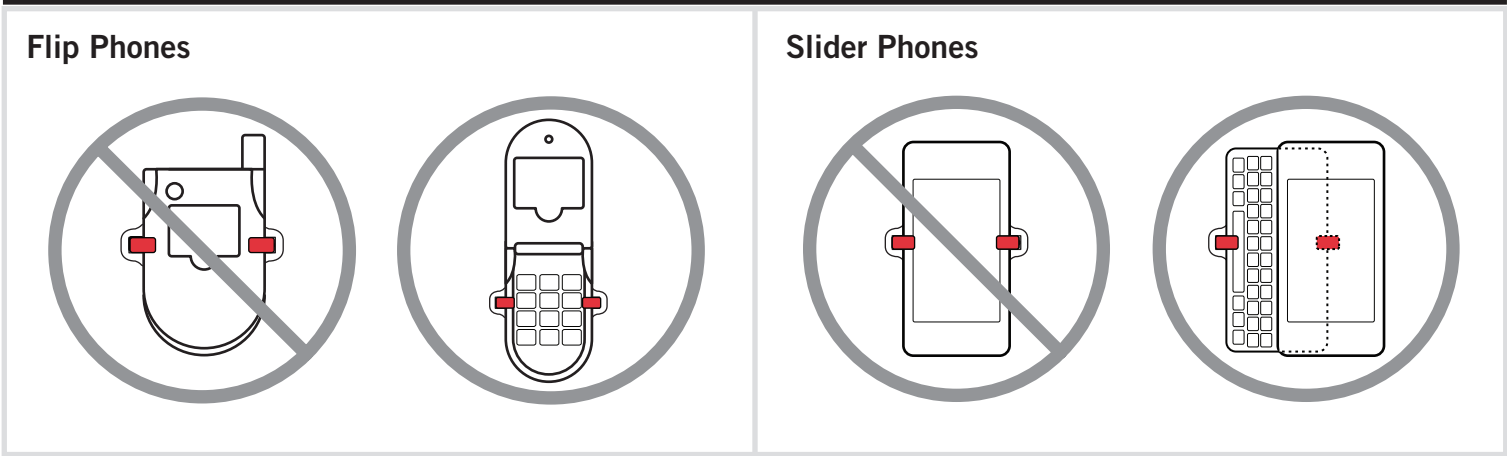


11

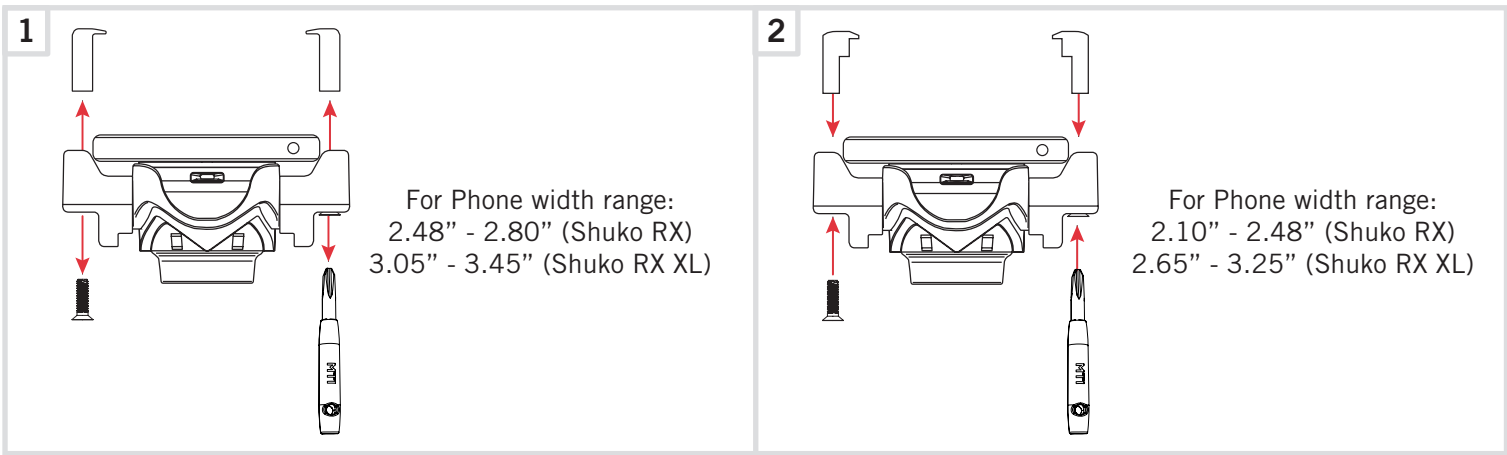


12





## SHUKO ARM REPLACEMENT



## REMOVAL

