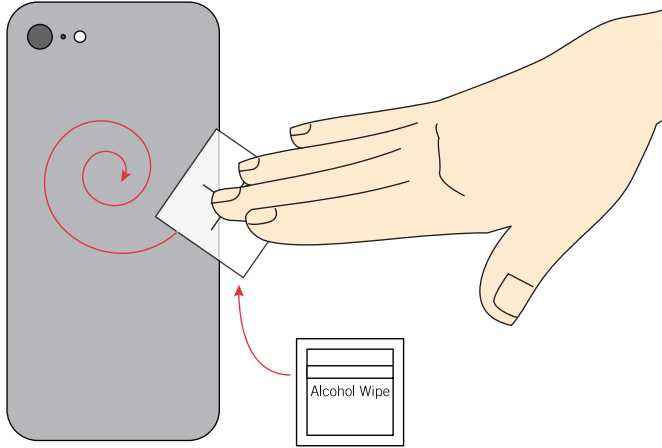
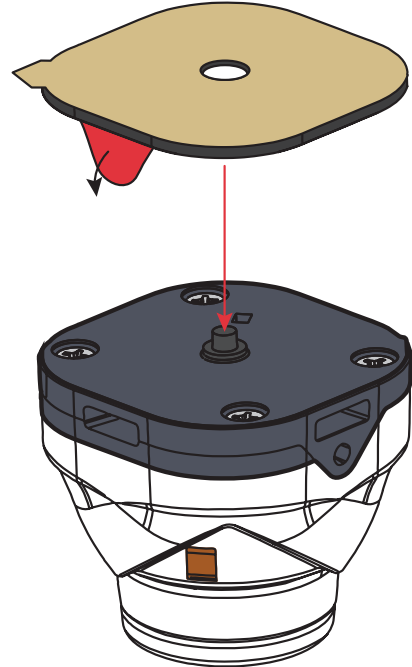


1



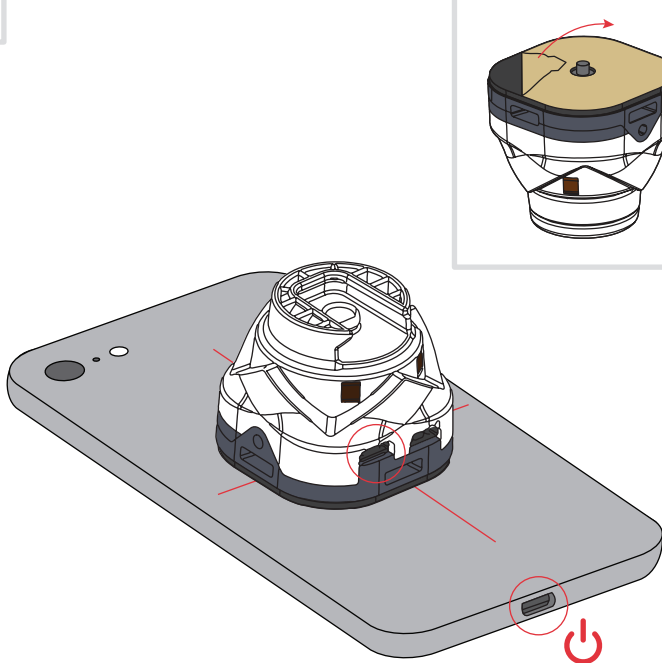
Remove any old VHB from puck before merchandising.

2

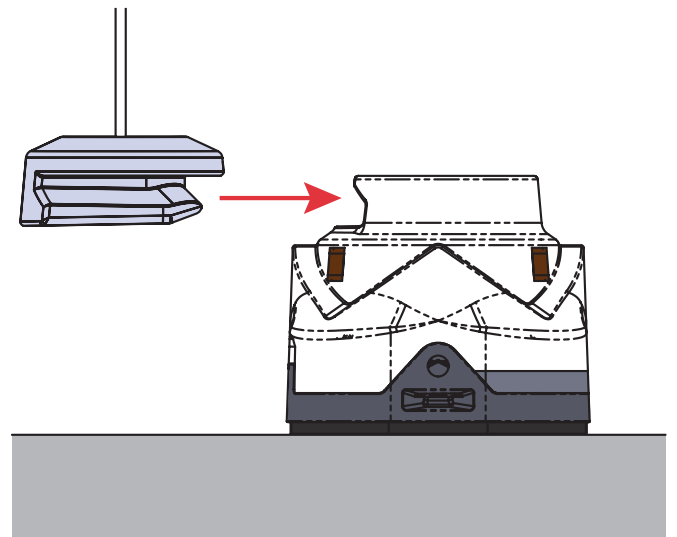


Remove red backing from VHB and apply to puck only.

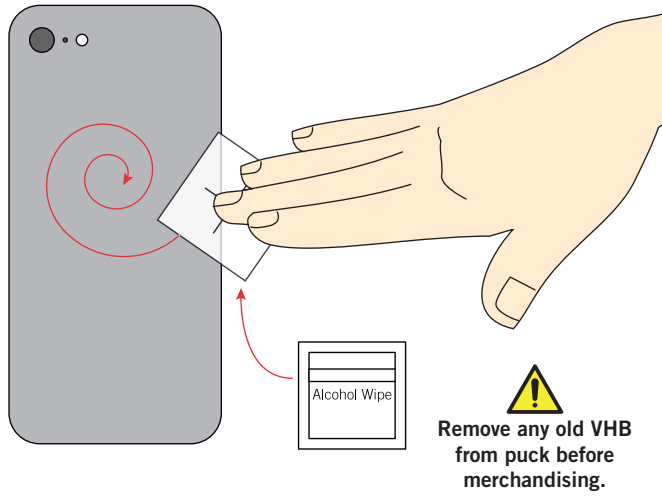
3



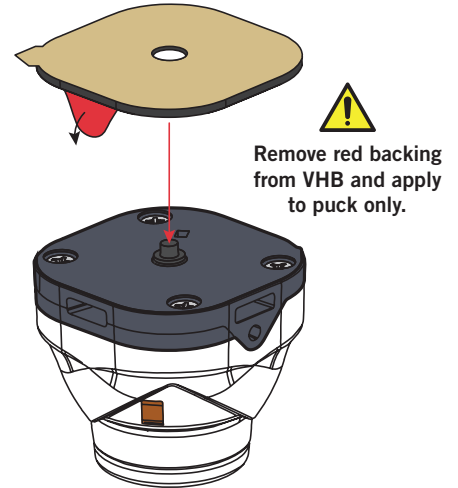
4



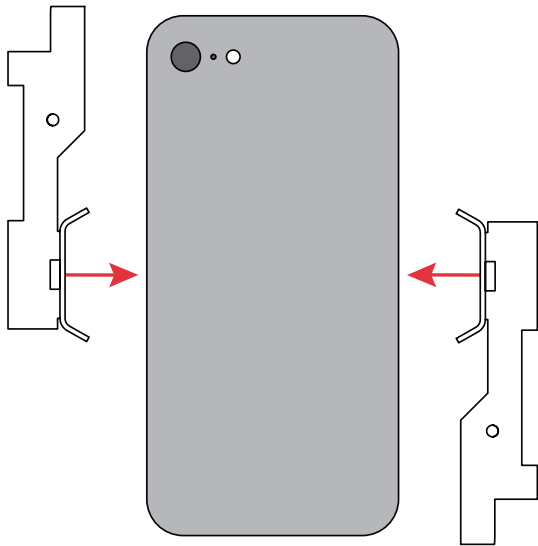
1



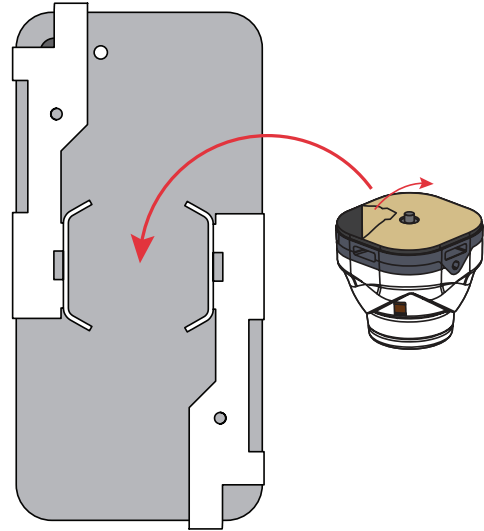
2



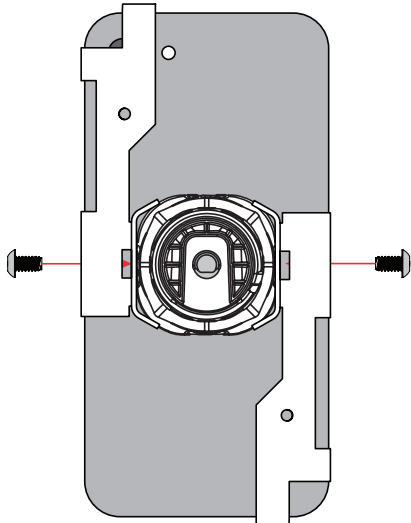
3



4



5



6

