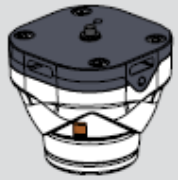




# Motorola Razr/ Razr+ (2023) Freedom Micro Bracket

*Installation Guide*

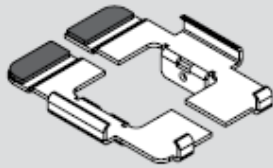




Freedom Micro® Puck



VHB with Transfer



Bracket



Security Screws

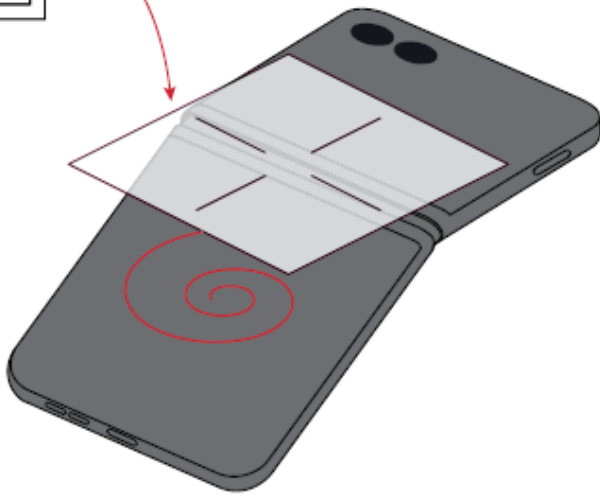


Double-Sided System Tool

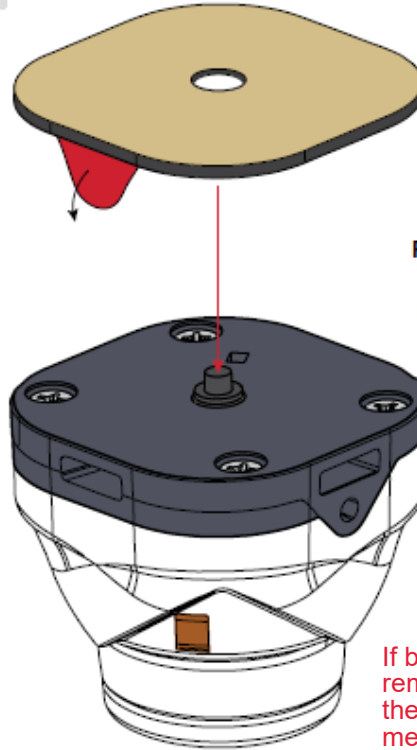



Alcohol Wipe


1



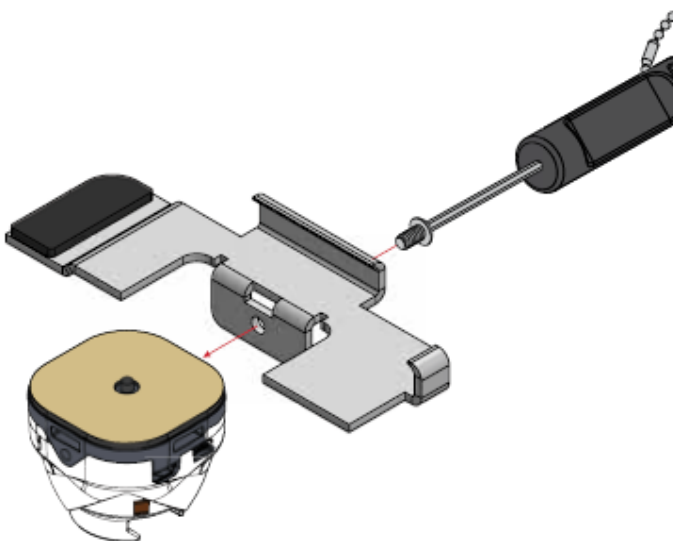
2



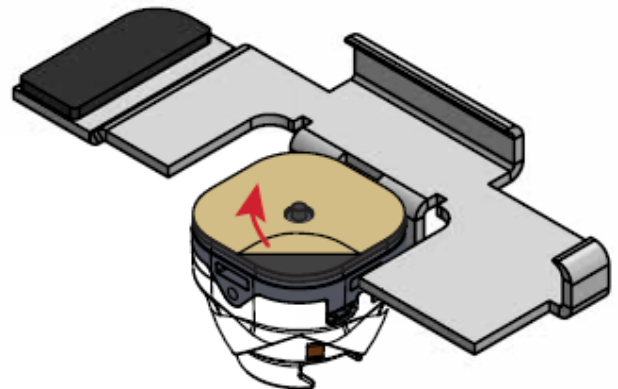
  
Red side of VHB should face puck, tan side should face device for proper adhesion.

  
If brackets are being reused, remove old VHB and clean the puck with alcohol before merchandising the new phone and bracket.

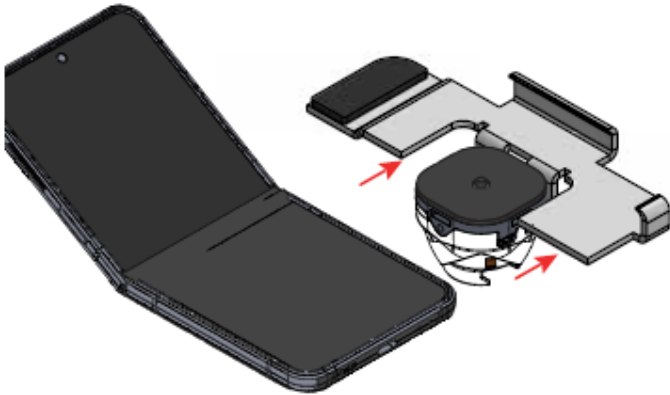
3



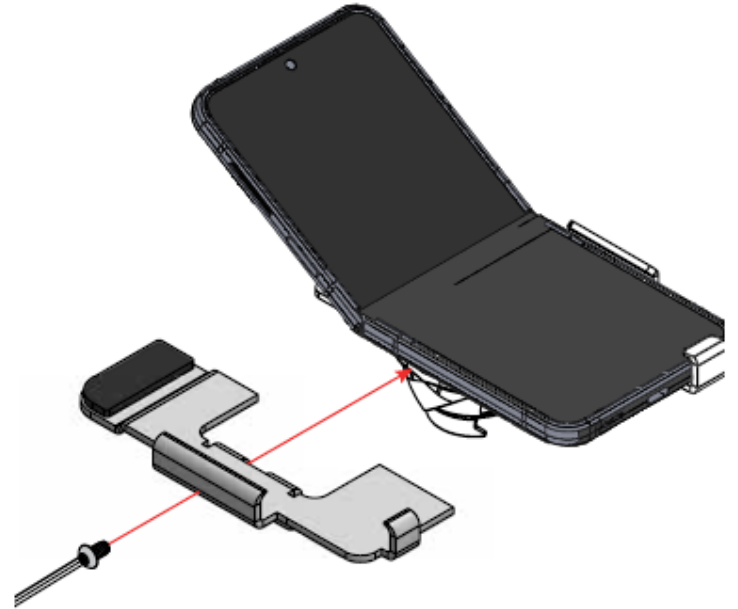
4



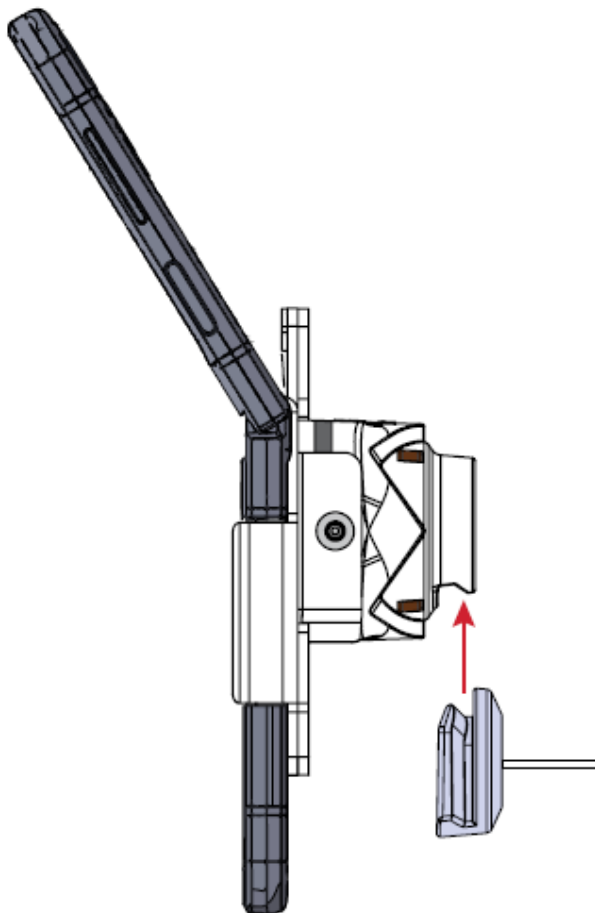
5



6



7



8